

air prep

# UDR Series

High Temperature Refrigerated Dryers



# numatics®

# Table of Contents

**NUMATICS®**

---

<b>UDR Series</b> .....	3-4
Features and Benefits.....	3
Dimensions.....	4



### UDR Series Dryers

The UDR Series High Temperature Refrigerated Air Dryer provides clean, dry, compressed air for auto body repair shops, auto service centers, dental offices, and small manufacturers without the need for an aftercooler or separator. The hot contaminated air first passes through a standard coalescing filter capturing harmful dirt, water and compressor oils. The air then enters the dryer where it is cooled by R134a or R22 refrigerant (R134a and R22 are environmentally acceptable and contains no ozone depleting CFC's). As the air is cooled, the remaining water vapor is condensed into a liquid form. The liquid is then separated from the air stream and drained away providing ideal air necessary for downstream components.

### Features

- All copper constructed tube in tube heat exchanger.
- 2 year warranty, 5 year heat exchanger warranty.
- Electronic automatic condensation drain with a push to test button on the prefilter and separator.
- 0.3 micron inlet coalescer oil removing filter.
- Ambient air filter (standard).
- R134a refrigerant for single phase units and R22 refrigerant for 3 phase units. (Environmentally acceptable - no CFC's)
- Refrigerant suction gauge.
- No aftercooler or separator required.

### Specifications/How to Order

Model	SCFM @ 39°F	Air Comp H.P.	Ref Comp H.P.	Available Voltages				Dimensions			Inlet/Outlet Inches	Shipping Weight	Max W.P.
				A	B	C	D	L	W	H			
UDR-20	20	5.0	1/4	•				24.0	21.1	19.0	1/2	55 lbs.	230
UDR-30	30	7.5	1/4	•				24.0	21.1	19.0	1/2	60 lbs.	230
UDR-40	40	10.0	1/3	•				32.4	18.2	20.3	1/2 - 3/4	95 lbs.	230
UDR-60	60	15.0	1/2	•				32.4	18.2	20.3	3/4	115 lbs.	230
UDR-80	80	20.0	1/2	•	•	•	•	43.7	25.0	42.1	1 - 1 1/2	210 lbs.	230
UDR-100	100	25.0	3/4	•	•	•	•	43.7	25.0	42.1	1 - 1 1/2	270 lbs.	230
UDR-120	120	30.0	3/4	•	•	•	•	43.7	25.0	42.1	1 - 1 1/2	380 lbs.	230
UDR-150	150	35.0	1	•	•	•	•	43.7	25.0	42.1	1 - 1 1/2	475 lbs.	230

The refrigerant compressor horsepower data shown above is based upon single phase units. 3 phase units are all 1 1/2 horsepower.

### Electrical Options:

- A = 115/1/60
- B = 208-230/1/60 to 220-240/1/50
- C = 208-230/3/60 to 220-240/3/50
- D = 460/3/60

### Deluxe Options:

- G = Refrigerant discharge gauge (20 - 60 models only)
- H = High temperature warning light (available in all models)
- K = Air in/out pressure gauges
- L = High Low Refrigeration Pressure Cut Out Switch (Std. on 3 phase units an option on all others)
- N = NEMA-4 Electrical
- U = Leg Kit (20 - 60 single phase models only)
- V = Wall Mount Brackets (20 - 30 models only)

### Example Model #:

UDR-80-AHK

### Description:

80 SCFM Dryer with 115/1/60 voltage  
High Temperature Warning Light, and Air In/Out Pressure Gauges

### Filter/Element Replacements

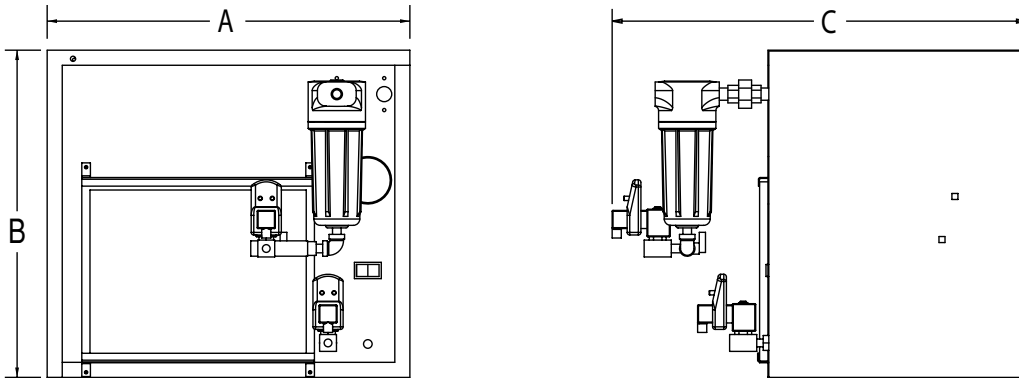
Model	Filter Model	Element Model
UDR-20	F900D-04	EKF9004D
UDR-30	F900D-04	EKF9004D
UDR-40	F900D-04	EKF9004D
UDR-60	F900D-06	EKF9008D
UDR-80	F900D-08	EKF9008D
UDR-100	F900D-08	EKF9008D
UDR-120	F900D-08X	EKF9008XD
UDR-150	F900D-08X	EKF9008XD



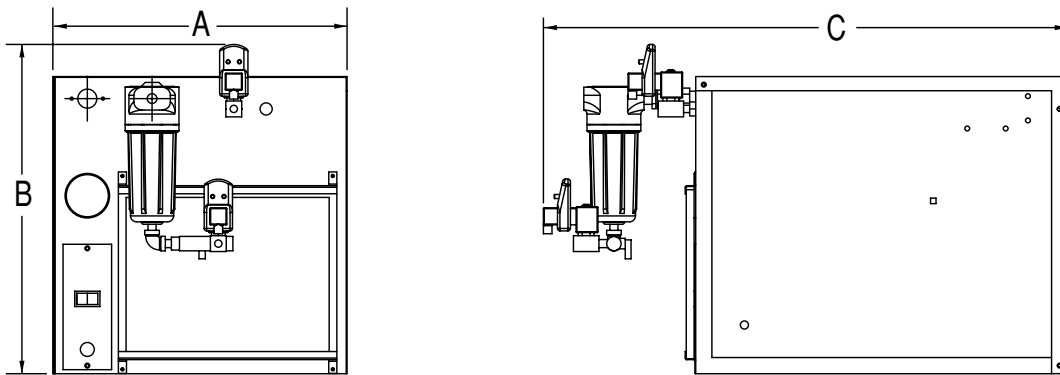
## UDR Series

### Drawings

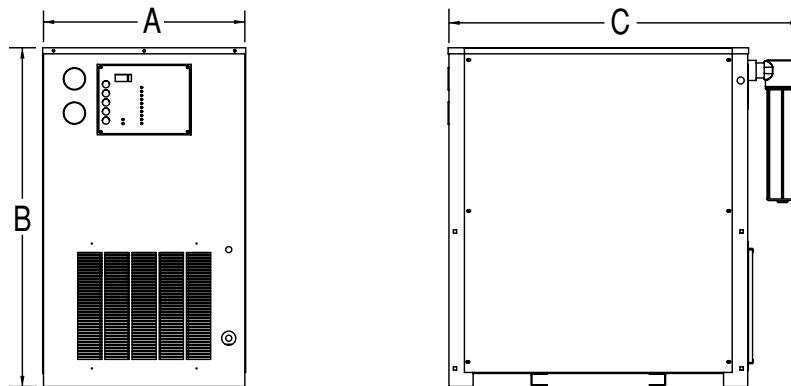
#### UDR 20 - 30



#### UDR 40 - 60



#### UDR 80 - 150

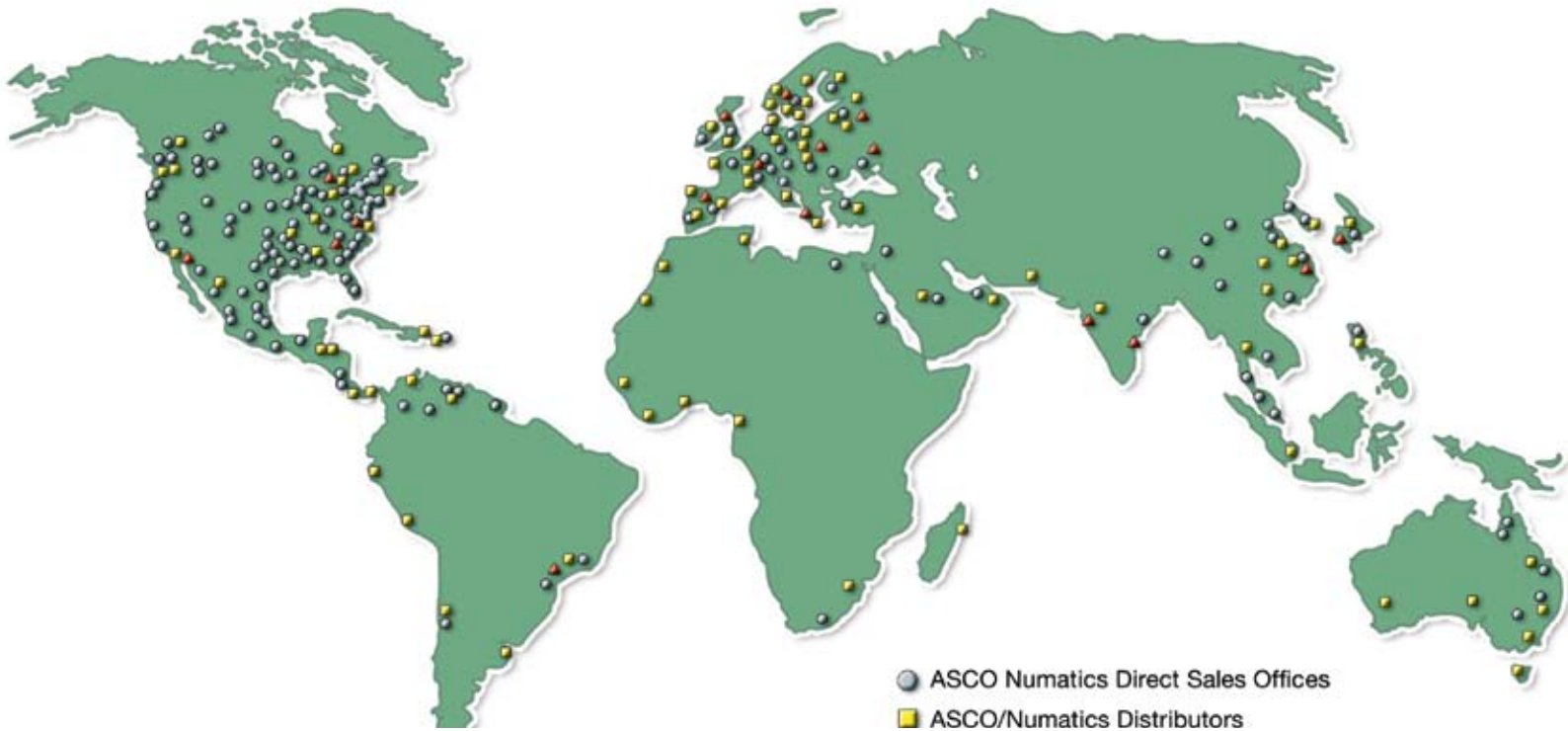


### Dimensions (millimeters in parenthesis)

Model	A	B	C
UDR-20	21.1 (536)	19.0 (483)	24.0 (610)
UDR-30	21.1 (536)	19.0 (483)	24.0 (610)
UDR-40	18.2 (462)	20.3 (516)	32.4 (823)
UDR-60	18.2 (462)	20.3 (516)	32.4 (823)
UDR-80	25.0 (635)	42.1 (1069)	43.7 (1110)
UDR-100	25.0 (635)	42.1 (1069)	43.7 (1110)
UDR-120	25.0 (635)	42.1 (1069)	43.7 (1110)
UDR-150	25.0 (635)	42.1 (1069)	43.7 (1110)

# NUMATICS

*World Class Supplier  
of Pneumatic Components*



## WORLD HEADQUARTERS

### USA

#### Numatics, Incorporated

46280 Dylan Drive  
Novi, Michigan 48377

P: 248-596-3200  
F: 248-596-3201

### Canada

#### Numatics, Ltd

P: 519-452-1777  
F: 519-452-3995

### Mexico

#### Numatics de Mexico S.A. de C.V.

P: 52-222-284-6176  
F: 52-222-284-6179

For a comprehensive listing of all Numatics production and distribution facilities worldwide, visit:

**[www.numatics.com](http://www.numatics.com)**