

slides

SH Series
Linear Slides



NUMATICS

SH Series Linear Slides	3-17
Features and Benefits	3
How To Order	4
Dimensions	5-7
Specifications and Load Ratings	8-10
Mounting Options	11
NuMate Mounting System	12
Multi-Position How to Order	13
Multi-Position Dimensions	14
Switch Information	15-17



Our SH-Series Linear Slides are available with a wide range of options...

A. Body:

Hardcoat Anodized Aluminum(6061-T6511) lightweight, durable,
high strength to weight ratio.
Standard Dowel Location Holes.....allows precision mounting.
Multi-Surface Mounting Holes.....flexible, easy access for mounting.

B. Air Cylinder:

Standard Stainless Steel Body and Rod.....corrosion resistant.
Standard w/ Magnetic Piston sensing applications (Hall, Reed or Prox)
added as required.

C. Alignment Coupler:

Isolates Piston Rod from side loadingmaximize life of cylinder,
360 degrees of float.

D. Tooling Plate:

NuMate™ Universal Mounting Pattern.....standardized mounting
system, eliminates custom transition plates.
Holes Drilled/Tapped and C'bored from the opposite side.....easy mounting.
Standard Dowel Locating Holes.....precision mounting.

E. Guide Shafts:

Hardened Steel to Rc 60 - 65long life.
Hardened Stainless Steel to Rc 50 - 55long life.
Precision Ground & Polished to 15 μ RMS..... smooth cycling/
low breakaway.
Pilot Mounted to Tooling Plate maximum rigidity.
Large Diameters.....increased load capacity.

F. Bearings: (Three Choices)

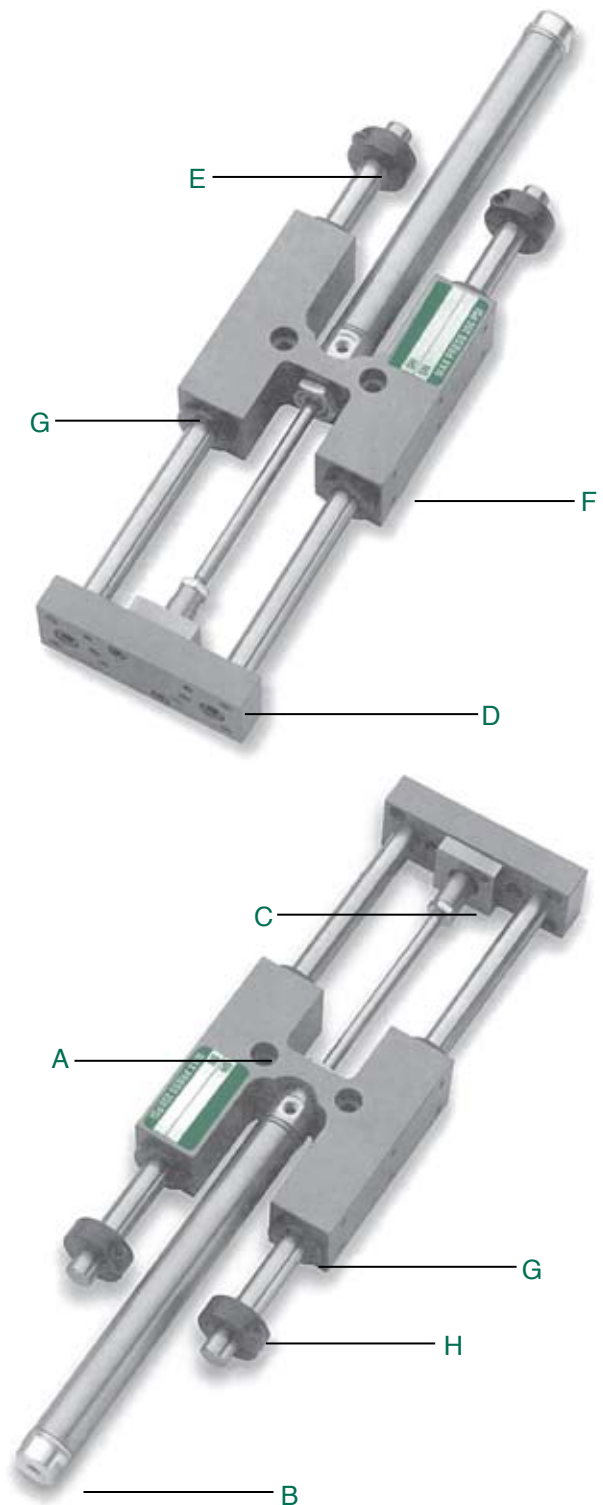
Four Precision Linear Ball Bearings
Sealed with Rod Wipers..... safe guarding against dirt & contamination.
Self-Aligning reducing wear, maximizing both.
load capacity and long life.
Four Sintered Bronze Sleeve Bearings
Oil Impregnated..... self lubricating.
High Pv Rating long service life.
Four Frelon® Compounded Teflon®
Low Friction..... longest wear life.
Maintenance Free self lubricating.

G. Bumpers: (Standard)

Polyurethane Materialdurable and long lasting.
Integrated into body Design reduces shock loading on extend & retract.
Preliminary Rod Wiper removes larger contamination from Guide Shafts.

H. Adjustable Shaft Collars: (Standard)

Extend Stroke Adjustment.....flexibility.





SH Series Linear Slides

numatics®

How to Order

SH 075 03 LB 1 3 C S 3

Bore Size

031 = 5/16"
056 = 9/16"
075 = 3/4"
106 = 1-1/16"
150 = 1-1/2"
200 = 2"
250 = 2-1/2"
300 = 3"

Standard Stroke (inches)

X5 = 1/2" 09 = 9"
01 = 1" 10 = 10"
X9 = 1-1/2" 11 = 11"
02 = 2" 12 = 12"
03 = 3" 13 = 13"
04 = 4" 14 = 14"
05 = 5" 15 = 15"
06 = 6" 16 = 16"
07 = 7" 17 = 17"
08 = 8" 18 = 18"

Bearing Option

LB = Linear Ball
TB* = Teflon®
BB = Sintered Bronze

* Supplied Standard with Stainless Steel Guide Rods, Stop Collars and Hardware.

Cylinder Type

1 = Buna-N Seals***
2 = Viton Seals (no magnet)
3 = Buna-N Seals w/Cushions**
4 = Viton Seals with magnet***

** Cushions available on 1-1/16", 1-1/2", 2", and 2-1/2" & 3" bore.

*** Magnet not available on SH031

Shock Option

Shock Hardware Only

1 = Extend
2 = Retract
3 = Extend/Retract
4 = No Shock Hardware

Hardware & Shocks

A = Extend
B = Retract
C = Extend/Retract

Mounting Option

S = Std. Mount
B = Base Mount
A = Angle Mount

Sensing Position

A = Single Pos. Extend
B = Single Pos. Retract
C = Two position
D = No Sensing

Sensing Type

Standard Cord Set

1 = Hall Effect PNP (Sourcing)
2 = Hall Effect NPN (Sinking)
3 = Reed Switch
4 = Prox Switch - PNP (Sourcing)
5 = Prox Switch - NPN (Sinking)
6 = No Sensing
7 = 8mm Threaded Barrel Prox Bracket*

Quick Disconnect Cord Set

Z = Hall Effect PNP (Sourcing)
Y = Hall Effect NPN (Sinking)
X = Reed Switch
W = Prox Switch - PNP (Sourcing) Straight
V = Prox Switch - NPN (Sinking) Straight
U = Prox Switch - PNP (Sourcing) 90°
T = Prox Switch - NPN (Sinking) 90°

* Bracket only - does not include switch

** Sensing not available on the SH031
See Sensor section.

Ordering Example

Part Number: SH07503LB13CS3*

Part Description: 3/4 Bore by 3 inch stroke with Linear Ball Bearing, Standard Seals, Two Position Reed Switches, Standard Mount, Shock Hardware on Extend and Retract, Shocks not included.

*When entering an order, DO NOT use spaces or dashes. Follow example above.

When Ordering Additional Sensors, Mounting Kits, or Shocks:

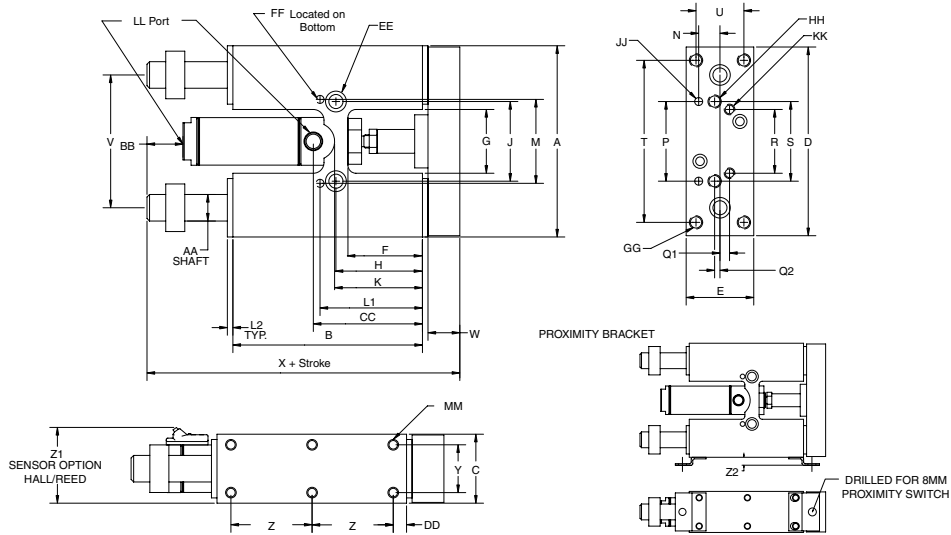
SWITCH DESCRIPTION	STANDARD PART NO.	QUICK DISCONNECT PART NO.
Hall Effect - PNP (Sourcing)	HPNPS31*	HPNPQ31*
Hall Effect - NPN (Sinking)	HNPNS32*	HNPNQ32*
Reed Switch	RSS02*	RSQ02*
Prox Switch - PNP (Sourcing)	SWPP - 0001	SWPP - QS01
Prox Switch - NPN (Sinking)	SWPN - 0001	SWPN - QS01
Prox Switch - PNP 90°	-	SWPP - QL01
Prox Switch - NPN 90°	-	SWPN - QL01
90° 5 meter cable	-	PXC 90
Straight 5 meter cable	-	PXC ST

*Bands and tracks required for mounting.

SERIES SLIDE	BASE MOUNT	ANGLE MOUNT	SHOCK ABSORBER
SH031	MB031	AB031	-
SH075	MB075	AB075	SK106
SH150	MB150	AB150	SK150
SH250	-	AB200	SK250



SH031, SH056, SH075, SH106 Slides



	SH031	SH056	SH075	SH106
A	2.00	2.87	4.12	4.50
B	2.00	3.00	3.97	4.45
C	0.62	1.00	1.25	1.62
D	1.95	2.81	4.06	4.44
E	0.58	0.95	1.19	1.58
F	0.75	1.00	1.31	1.75
G	0.75	1.00	1.25	1.50
H	0.90	1.25	1.59	2.03
J	1.00	1.25	1.50	1.87
K	1.06	1.50	1.66	2.31
L1	1.12	1.56	1.96	2.40
L2	0.06	0.12	0.12	0.12
M	0.999/1.001	1.373/1.375	1.811/1.813	1.873/1.875
N	0.21	0.31	0.37	0.50
P	0.999/1.001	1.373/1.375	1.811/1.813	1.873/1.875
Q1	-	0.18	0.31	0.22
Q2	Center Line	Center Line	Center Line	0.12
R	-	1.00	1.25	1.50
S	1.00	1.25	1.50	1.87
T	-	2.37	3.37	3.81
U	-	0.62	0.81	1.12
V	1.56	2.00	2.75	3.12
W	0.31	0.50	0.62	0.75
X	3.06	4.44	5.68	6.31
Y	0.43	0.62	0.81	1.12
Z	0.50	1.18	1.68	1.90
Z1	N/A	1.32	1.53	1.88
Z2	N/A	.312	.312	.312

	SH031	SH056	SH075	SH106
AA	0.250 Nom.	0.375 Nom.	0.500 Nom.	0.625 Nom.
BB	0.31	0.50	0.62	0.81
CC	1.06	1.68	2.03	2.50
DD	0.50	0.31	0.31	0.31
EE	C'Bored for #6 SHCS, Tapped # 10-32 x .28 DP From Opposite side	C'Bored for #10 SHCS, Tapped 1/4-28 x .50 DP From Opposite side	C'Bored for 1/4 SHCS, Tapped 5/16-24 x .62 DP From Opposite side	C'Bored for 5/16 SHCS, Tapped 3/8-24 x .75 DP From Opposite side
FF	0.0937/0.0947 x 0.18DP	0.125/0.126 x 0.25DP	0.1875/0.1885 x .37DP	0.1875/0.1885 x .37DP
GG	N/A	#10-32 thru, C'Bored for #6 SHCS From Opposite Side	1/4-20 thru, C'Bored for #10 SHCS From Opposite Side	5/16-18 thru, C'Bored for 1/4 SHCS From Opposite Side
HH	#6-32 thru	#10-32 thru, C'Bored For #6 SHCS From Opposite Side	1/4-20 thru, C'Bored For #10 SHCS From Opposite Side	5/16-18 thru, C'Bored For 1/4 SHCS From Opposite Side
JJ	0.0937/0.0947 x 0.18DP	0.125/0.126 x 0.25DP	0.1875/0.1885 x .37DP	0.1875/0.1885 x .37DP
KK	-	#6-32 x .25DP	#10-32 x .37DP	1/4-20 x .50DP
LL	#10-32	#10-32	1/8 NPTF	1/8 NPTF
MM	#5-40 x .18 DP*	#6-32 x .20 DP	#10-32 x .28 DP	1/4-20 x .37 DP

*SH031 has four holes per side.

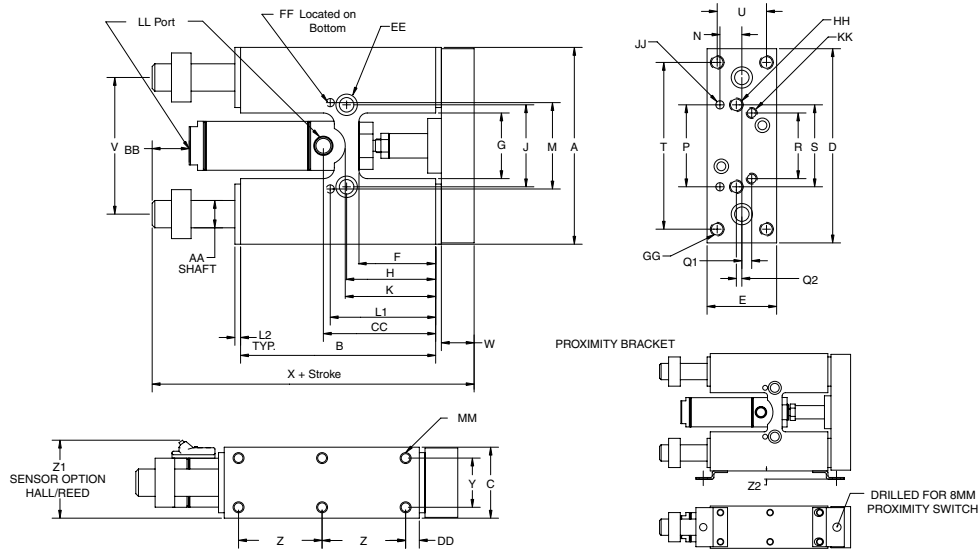
Information subject to change without notice. For ordering information or regarding your local sales office visit www.numatics.com.



SH Series Linear Slides

NUMATICS®

SH150, SH200, SH250 Slides

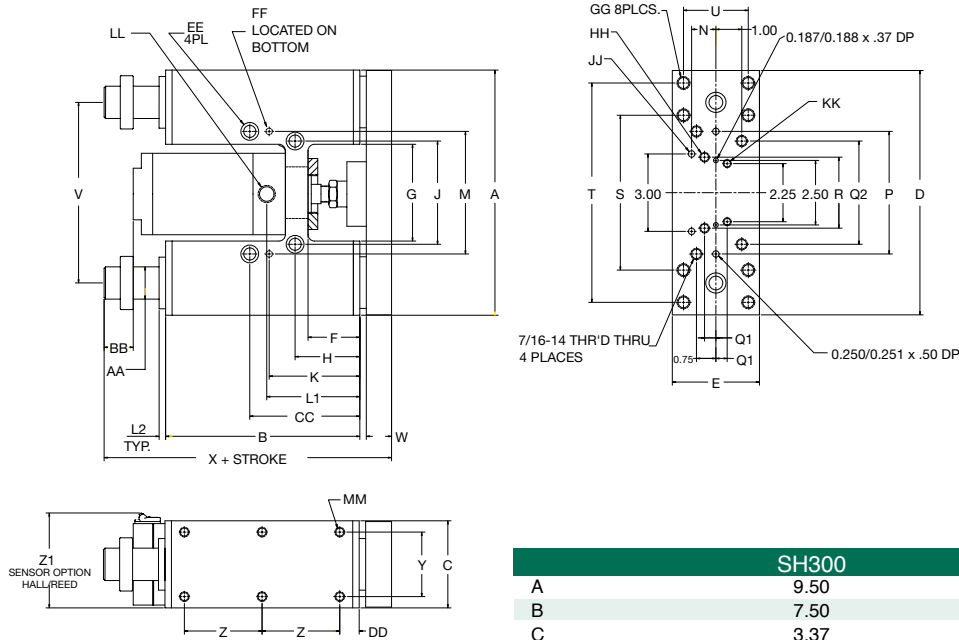


	SH150	SH200	SH250
A	5.25	6.50	6.50
B	4.95	6.50	6.50
C	2.00	2.50	2.87
D	5.18	6.44	6.44
E	1.93	2.44	2.44
F	1.93	2.50	2.50
G	2.00	2.50	2.50
H	2.25	2.87	2.81
J	2.25	2.75	2.75
K	2.68	3.37	3.37
L1	2.68	3.37	3.31
L2	0.18	0.25	0.25
M	2.499/2.501	2.99/3.001	2.999/3.001
N	0.56	0.62	0.62
P	2.499/2.501	2.999/3.001	2.999/3.001
Q1	0.31	0.37	0.37
Q2	0.12	0.12	0.12
R	1.87	2.25	2.25
S	2.25	2.75	2.75
T	4.25	5.25	5.25
U	1.43	1.87	1.87
V	3.75	4.56	4.56
W	0.81	0.87	0.87
X	7.16	8.75	8.75
Y	1.43	1.87	1.87
Z	2.12	2.62	2.62
Z1	2.25	2.75	3.21
Z2	0.312	.312	.312

	SH150	SH200	SH250
AA	0.750 Nom.	1.000 Nom.	1.000 Nom.
BB	0.87	1.00	1.00
CC	3.00	3.71	3.71
DD	0.37	0.62	0.62
EE	C'Bored for 5/16 SHCS, Tapped 3/8-24 x 0.75 DP From Opposite side	C'Bored for 3/8 SHCS, Tapped 7/16-20 x 0.875 DP From Opposite side	C'Bored for 3/8 SHCS, Tapped 7/16-20 x 0.875 DP From Opposite side
FF	0.1875/0.1885 x 0.37DP 5/16-18 thru, C'Bored	0.250/0.251 x 0.50DP 3/8-24 thru, C'Bored	0.250/0.251 x 0.50DP 3/8-24 thru, C'Bored
GG	for 1/4 SHCS From Opposite Side	for 5/16 SHCS From Opposite Side	for 5/16 SHCS From Opposite Side
HH	5/16-18 thru, C'Bored For 1/4 SHCS From Opposite Side	3/8-24 thru, C'Bored For 5/16 SHCS From Opposite Side	3/8-24 thru, C'Bored For 5/16 SHCS From Opposite Side
JJ	0.1875/0.1885 x 0.37DP	0.250/0.251 x 0.50DP	0.250/0.251 x 0.50DP
KK	5/16-18 x 0.62DP	5/16-18 x 0.62DP	5/16-18 x 0.62DP
LL	1/8 NPTF	1/4 NPTF	1/4 NPTF
MM	1/4-20 x 0.37 DP	5/16-18 x 0.50 DP	5/16-18 x 0.50 DP



SH300 Slides



SH300	
A	9.50
B	7.50
C	3.37
D	9.44
E	3.31
F	2.00
G	3.75
H	2.50
J	4.00
K	3.50
L1	3.59
L2	0.25
M	4.749 / 4.751
N	0.94
P	4.749 / 4.751
Q1	0.43
Q2	4.00
R	2.75
S	6.00
T	8.50
U	2.50
V	7.00
W	0.97
X	10.10
Y	2.50
Z	3.00
Z1	3.73
Z2	0.312

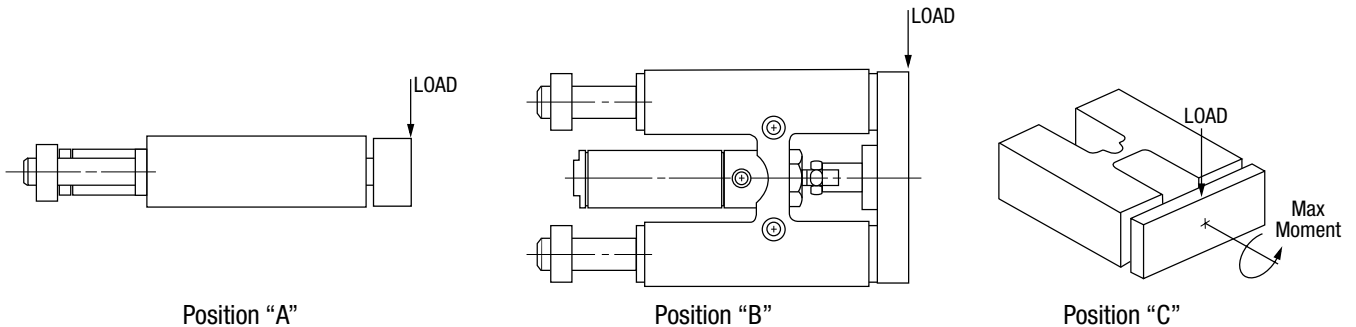
SH300	
AA	1.250 Nom.
BB	1.12
CC	4.25
DD	0.75
EE	C'Bored for 7/16 SHCS, Tapped 1/2-3 x 0.75 DP From Opposite side
FF	0.250 / 0.251 x 0.50DP 1/2-13 thru,
GG	C'Bored for 3/8-16 SHCS From opposite side.
HH	1/2-13 thru, C'Bored for 3/8-16 SHCS From opposite side.
JJ	0.250 / 0.251 x 0.50DP
KK	5/16-18 x 0.50DP
LL	3/8 NPTF
MM	3/8-16 x 0.57 DP



SH Series Linear Slides

NUMATICS®

Maximum Dynamic Load and Deflection Ratings Positions "A, B & C" Linear Bearing Option



SH056					SH075					SH106			
Stroke Inches	Max. Load A & B (lbs.)	Deflection A (Inches)	Deflection B (Inches)	Max. Load C (Inlb.)	Max. Load A & B (lbs.)	Deflection A (Inches)	Deflection B (Inches)	Max. Load C (Inlb.)	Max. Load A & B (lbs.)	Deflection A (Inches)	Deflection B (Inches)	Max. Load C (Inlb.)	
1	30.9	0.001	0.001	30.9	55.0	0.001	0.001	55.0	97.0	0.001	0.001	97.0	
2	24.8	0.002	0.001	24.8	45.8	0.001	0.001	45.8	82.0	0.002	0.002	82.0	
3	20.1	0.004	0.003	20.1	39.2	0.003	0.002	39.2	71.1	0.004	0.003	71.1	
4	15.4	0.007	0.005	15.4	34.3	0.005	0.004	34.3	62.7	0.006	0.005	62.7	
5	9.4	0.008	0.006	9.4	30.5	0.008	0.006	30.5	54.1	0.009	0.007	54.1	
6	8.2	0.011	0.009	8.2	27.5	0.012	0.010	27.5	48.8	0.013	0.010	48.8	
7	7.2	0.016	0.012	7.2	24.3	0.017	0.013	24.3	41.3	0.019	0.015	41.3	
8	6.5	0.021	0.016	6.5	21.2	0.021	0.017	21.2	36.8	0.022	0.018	36.8	
9	5.7	0.026	0.021	5.7	19.8	0.028	0.022	19.8	30.6	0.023	0.019	30.6	
10	5.0	0.031	0.024	5.0	18.2	0.035	0.028	18.2	25.9	0.026	0.020	25.9	
11	4.1	0.032	0.026	4.1	16.8	0.043	0.034	16.8	22.1	0.029	0.023	22.1	
12	3.1	0.032	0.025	3.1	14.1	0.046	0.037	14.1	20.0	0.033	0.026	20.0	

SH150					SH200/SH250					SH300			
Stroke Inches	Max. Load A & B (lbs.)	Deflection A (Inches)	Deflection B (Inches)	Max. Load C (Inlb.)	Max. Load A & B (lbs.)	Deflection A (Inches)	Deflection B (Inches)	Max. Load C (Inlb.)	Max. Load A & B (lbs.)	Deflection A (Inches)	Deflection B (Inches)	Max. Load C (Inlb.)	
1	136.4	0.001	0.001	136.4	232.7	0.001	0.001	232.7	339.0	.001	.001	339.0	
2	116.7	0.001	0.001	116.7	200.0	0.001	0.001	200.0	297.6	.001	.001	297.6	
3	95.8	0.003	0.002	95.8	176.2	0.002	0.002	176.2	265.7	.002	.001	265.7	
4	86.2	0.004	0.003	86.2	153.6	0.003	0.003	153.6	235.6	.003	.002	235.6	
5	75.4	0.007	0.005	75.4	136.6	0.004	0.004	136.6	210.8	.004	.003	210.8	
6	65.0	0.009	0.007	65.0	110.3	0.005	0.004	110.3	190.0	.005	.003	190.0	
7	59.3	0.012	0.010	59.3	97.3	0.006	0.005	97.3	170.0	.006	.004	170.0	
8	53.3	0.015	0.012	53.3	86.0	0.008	0.007	86.0	154.0	.008	.005	154.0	
9	47.3	0.018	0.015	47.3	76.1	0.010	0.008	76.1	137.8	.009	.006	137.8	
10	40.1	0.021	0.017	40.1	68.2	0.011	0.009	68.2	123.7	.010	.007	123.7	
11	35.7	0.023	0.019	35.7	57.5	0.012	0.010	57.5	109.9	.012	.008	109.9	
12	29.1	0.024	0.020	29.1	48.7	0.013	0.011	48.7	96.9	.012	.009	96.9	
13	25.0	0.026	0.021	25.0	40.7	0.014	0.012	40.7	82.8	.013	.010	82.8	
14	22.1	0.028	0.022	22.1	30.8	0.013	0.011	30.8	72.4	.014	.011	72.4	
15	19.5	0.030	0.024	19.5	22.1	0.011	0.009	22.1	62.9	.015	.013	62.9	
16	16.6	0.030	0.024	16.6	17.6	0.011	0.009	17.6	54.2	.015	.013	54.2	
17	14.0	0.030	0.024	14.0	15.0	0.009	0.007	15.0	46.3	.015	.013	46.3	
18	10.1	0.026	0.021	10.1	12.0	0.007	0.006	12.0	39.1	.015	.013	39.1	

* SH031 Series not offered in Linear Ball Bearing Option.
Maximum load and deflection ratings, 100% at tool plate mounting face



Maximum Dynamic Load and Deflection Ratings Positions "A, B & C" Bronze Bearing and Teflon® Bearing Options

SH031*					SH056				SH075			
Stroke Inches	Max. Load A & B (lbs.)	Deflection A (Inches)	Deflection B (Inches)	Max. Load C (Inlb.)	Max. Load A & B (lbs.)	Deflection A (Inches)	Deflection B (Inches)	Max. Load C (Inlb.)	Max. Load A & B (lbs.)	Deflection A (Inches)	Deflection B (Inches)	Max. Load C (Inlb.)
0.5	5.0	0.001	0.001	5.0	N/A	N/A	N/A	N/A	N/A	N/A	N/A	N/A
1	4.5	0.001	0.001	4.5	20.1	0.001	0.001	20.1	35.7	0.001	0.001	35.7
1.5	4.0	0.001	0.001	4.0	N/A	N/A	N/A	N/A	N/A	N/A	N/A	N/A
2	3.5	0.001	0.001	3.5	16.1	0.001	0.001	16.1	29.8	0.001	0.001	29.8
3	2.7	0.002	0.002	2.7	13.0	0.003	0.002	13.0	25.4	0.002	0.001	25.4
4	1.9	0.004	0.003	1.9	10.1	0.004	0.003	10.1	22.3	0.003	0.003	22.3
5	1.1	0.004	0.003	1.1	6.2	0.005	0.004	6.2	19.8	0.005	0.004	19.8
6	0.5	0.004	0.003	0.5	5.3	0.007	0.006	5.3	17.8	0.008	0.006	17.8
7	N/A	N/A	N/A	N/A	4.6	0.010	0.008	4.6	15.7	0.011	0.009	15.7
8	N/A	N/A	N/A	N/A	4.2	0.013	0.011	4.2	13.7	0.014	0.011	13.7
9	N/A	N/A	N/A	N/A	3.7	0.017	0.013	3.7	12.8	0.018	0.014	12.8
10	N/A	N/A	N/A	N/A	3.2	0.020	0.016	3.2	11.8	0.023	0.018	11.8
11	N/A	N/A	N/A	N/A	2.6	0.021	0.017	2.6	10.9	0.028	0.022	10.9
12	N/A	N/A	N/A	N/A	1.9	0.020	0.016	1.9	9.1	0.030	0.024	9.1

SH106					SH150				SH200/SH250			
Stroke Inches	Max. Load A & B (lbs.)	Deflection A (Inches)	Deflection B (Inches)	Max. Load C (Inlb.)	Max. Load A & B (lbs.)	Deflection A (Inches)	Deflection B (Inches)	Max. Load C (Inlb.)	Max. Load A & B (lbs.)	Deflection A (Inches)	Deflection B (Inches)	Max. Load C (Inlb.)
1	48.5	0.001	0.001	48.5	68.2	0.001	0.001	68.2	116.3	0.001	0.001	116.3
2	41.1	0.001	0.001	41.0	58.3	0.001	0.001	58.3	100.0	0.001	0.001	100.0
3	35.5	0.002	0.002	35.5	51.0	0.001	0.001	51.0	88.1	0.001	0.001	88.1
4	31.3	0.003	0.002	31.3	43.1	0.002	0.002	43.1	76.8	0.001	0.001	76.8
5	27.0	0.005	0.003	27.0	37.7	0.003	0.003	37.7	68.3	0.002	0.002	68.3
6	24.4	0.006	0.005	24.4	32.5	0.004	0.004	32.5	55.1	0.003	0.003	55.1
7	20.6	0.008	0.006	20.6	29.6	0.006	0.005	29.6	48.6	0.003	0.003	48.6
8	18.4	0.010	0.008	18.4	26.6	0.008	0.006	26.6	43.0	0.004	0.003	43.0
9	15.3	0.012	0.009	15.3	23.6	0.009	0.007	23.6	38.0	0.005	0.004	38.0
10	12.9	0.013	0.010	12.9	20.0	0.010	0.008	20.0	34.1	0.006	0.005	34.1
11	11.0	0.014	0.011	11.0	17.8	0.012	0.009	17.8	28.7	0.006	0.005	28.7
12	10.1	0.016	0.013	10.1	14.5	0.012	0.010	14.5	24.3	0.007	0.006	24.3
13	N/A	N/A	N/A	N/A	12.5	0.013	0.010	12.5	20.3	0.007	0.006	20.3
14	N/A	N/A	N/A	N/A	11.0	0.014	0.011	11.0	15.4	0.007	0.006	15.4
15	N/A	N/A	N/A	N/A	9.7	0.015	0.012	9.7	11.0	0.006	0.005	11.0
16	N/A	N/A	N/A	N/A	8.3	0.015	0.012	8.3	8.8	0.005	0.004	8.8
17	N/A	N/A	N/A	N/A	7.0	0.015	0.012	7.0	7.5	0.004	0.003	7.5
18	N/A	N/A	N/A	N/A	5.0	0.013	0.011	5.0	6.0	0.004	0.003	6.0

SH300				
Stroke Inches	Max. Load A & B (lbs.)	Deflection A (Inches)	Deflection B (Inches)	Max. Load C (Inlb.)
1	170.5	0.001	0.001	170.5
2	149.8	0.001	0.001	149.8
3	132.5	0.001	0.001	132.5
4	117.5	0.001	0.001	117.5
5	105.0	0.002	0.001	105.0
6	95.4	0.002	0.002	95.4
7	85.2	0.003	0.002	85.2
8	77.7	0.004	0.003	77.7
9	69.0	0.005	0.004	69.0
10	62.3	0.005	0.004	62.3
11	55.1	0.006	0.005	55.1
12	48.0	0.006	0.005	48.0
13	41.7	0.007	0.006	41.7
14	36.0	0.007	0.006	36.0
15	31.5	0.008	0.007	31.5
16	27.9	0.008	0.007	27.9
17	23.0	0.009	0.008	23.0
18	19.5	0.009	0.008	19.5

* SH031 Series not offered in Linear Ball Bearing Option.
Maximum load and deflection ratings, 100% at tool plate mounting face



SH Series Linear Slides

NUMATICS®

Unit Weight Table

	SH031	SH056	SH075	SH106	SH150	SH200	SH250	SH300
Base Unit Weight (lbs.)	0.35	1.07	2.46	4.04	6.36	12.94	13.84	30.12
Adder/inch of stroke (lbs.)	0.03	0.08	0.15	0.22	0.34	0.60	0.90	1.75

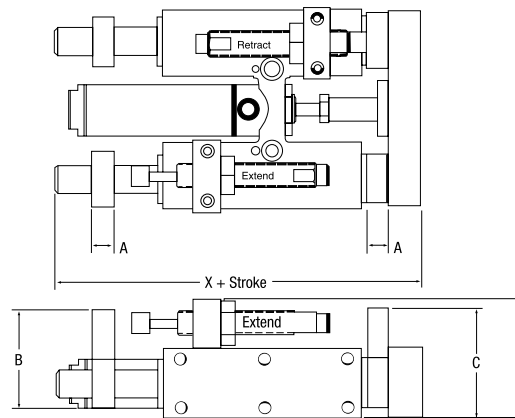
Add base weight to inch adder X stroke. sample weight calculation: Model SH075 W/6" stroke, $2.46 + (0.15 \times 6) = 3.360$ lbs.

Unit Output Force Table

	SH031	SH056	SH075	SH106	SH150	SH200	SH250	SH300
Extend Force (lbs.)	0.07	0.24	0.44	0.88	1.76	3.14	4.90	7.00
Retract Force (lbs.)	0.06	0.22	0.39	0.81	1.61	2.83	4.60	6.62

Multiply force factor X input pressure in PSI. sample output force calculation: Model SH150 extend force@ 70PSI, $1.76 \times 70 = 123.2$ lbs.

Shock Option



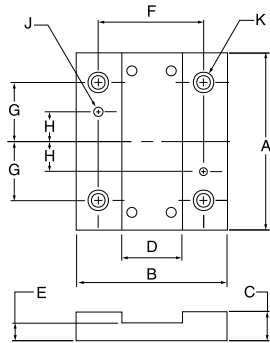
Dimensions

DIMENSION	SH075	SH106	SH150	SH200	SH250	SH300
A	0.44	0.50	0.50	0.50	0.50	0.50
B	2.00	2.25	2.75	3.25	3.52	5.50
C	2.13	2.50	3.13	3.75	3.93	5.75
D	2.38	2.75	3.25	3.88	4.25	5.87
X	6.68	7.31	8.13	9.75	9.75	11.10

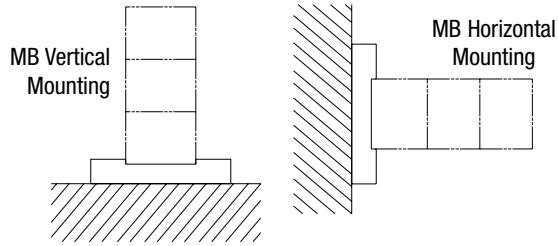
* Shock Option available on SH075 series and larger.



MB Series Base Mounting

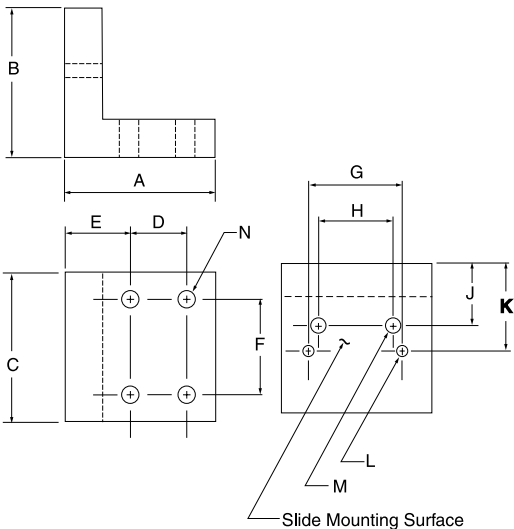
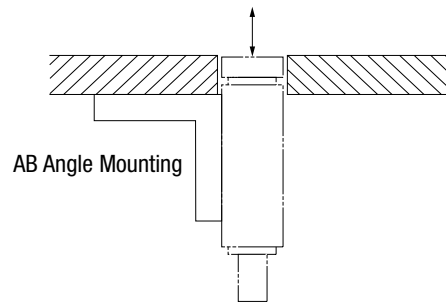


Base Mount Not Available for SH250 & SH300



SLIDE SERIES	SH031	SH056	SH075	SH106	SH150	SH200
BASE P/N	MB031	MB056	MB075	MB106	MB150	MB200
A	2.00	3.00	4.00	4.50	5.00	6.50
B	1.62	2.50	3.0	3.50	4.00	5.00
C	0.34	0.47	0.59	.070	0.70	0.99
D	0.626/0.628	1.001/1.003	1.251/1.253	1.626/1.628	2.001/2.003	2.501/2.503
E	0.26	0.34	0.50	0.56	0.56	0.68
F	1.12	1.75	2.00	2.50	3.00	3.75
G	0.75	1.00	1.50	1.75	2.00	2.50
H	0.37	0.50	0.75	1.12	1.25	1.50
J	0.125/0.126	0.156/.0157	0.156/0.157	0.188/0.189	0.188/0.189	0.250/0.251
K	Clearance for #8 SHCS	Clearance for #10 SHCS	Clearance for 1/4 SHCS	Clearance for 5/16 SHCS	Clearance for 5/16 SHCS	Clearance for 3/8 SHCS

AB Series Angle Mounting – Not Available on SH300



SLIDE SERIES	SH031	SH056	SH075	SH106	SH150	SH200/SH250
BASE P/N	AB031	AB056	AB075	AB106	AB150	AB200
A	1.25	2.00	2.50	3.00	3.50	4.00
B	1.25	2.00	2.50	3.00	3.50	4.00
C	1.75	2.25	2.75	3.25	4.00	5.00
D	0.50	0.87	1.00	1.25	1.50	2.00
E	0.50	0.62	0.75	1.12	1.25	1.37
F	1.25	1.25	1.75	2.25	3.00	4.00
G	1.00	1.37	1.81	1.87	2.50	3.00
H	1.00	1.25	1.50	1.87	2.25	2.75
J	0.75	1.00	1.31	1.78	2.00	2.37
K	0.97	1.31	1.68	2.15	2.43	2.87
L	0.94	0.125	0.187	0.187	0.187	0.250
M	For #10-32 SHCS	For 1/4-28 SHCS	For 5/16-24 SHCS	For 3/8-24 SHCS	For 3/8-24 SHCS	For 7/16-20 SHCS
N	For #10 SHCS	For 1/4 SHCS	For 5/16 SHCS	For 3/8 SHCS	For 3/8 SHCS	For 7/16 SHCS

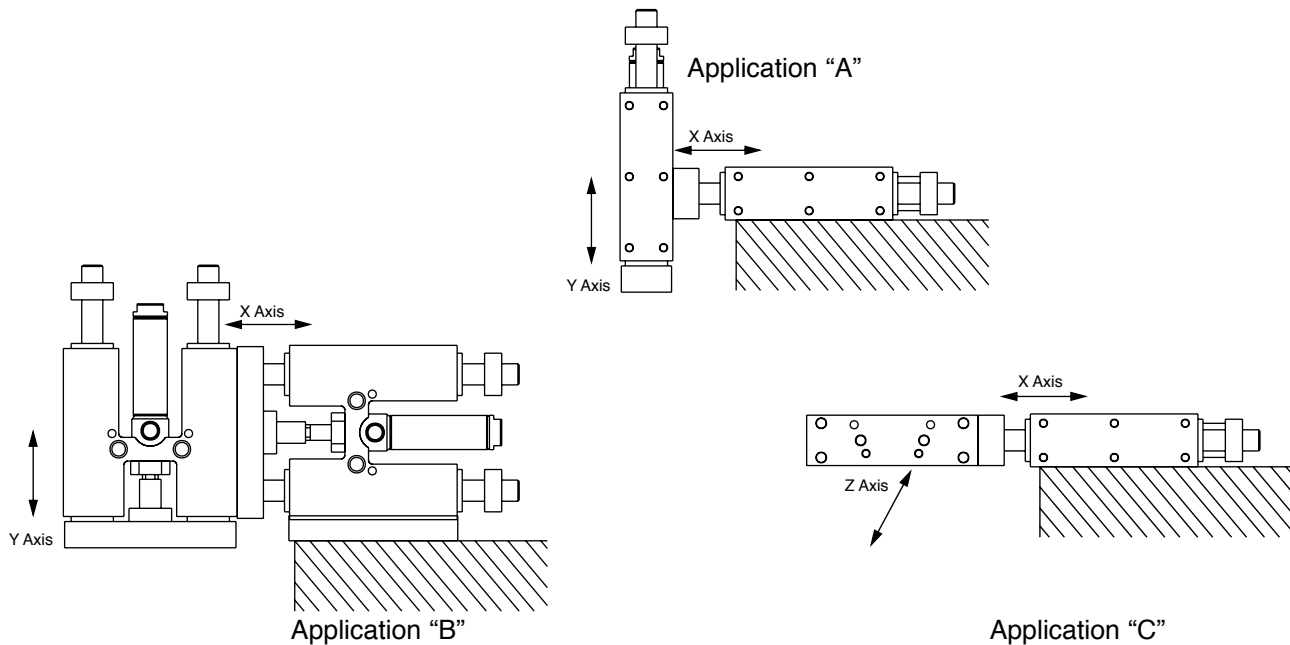


SH Series Linear Slides

NUMATICS®

NuMate™ Direct Mount, Mounting System

The NuMate™ mounting system provides a standard series of drilled, tapped and counterbored holes allowing each slide series to mount with each other and other slide series in various combinations without the use of adapters, transition plates or other costly methods. The NuMate™ mounting system also utilizes dowel hole locations for precision mountings. The NuMate™ mounting system is the most versatile mounting method of its kind, providing customers with a cost effective method for building modular component automation. The NuMate™ mounting system is consistent across the NMC spectrum of products for automation.

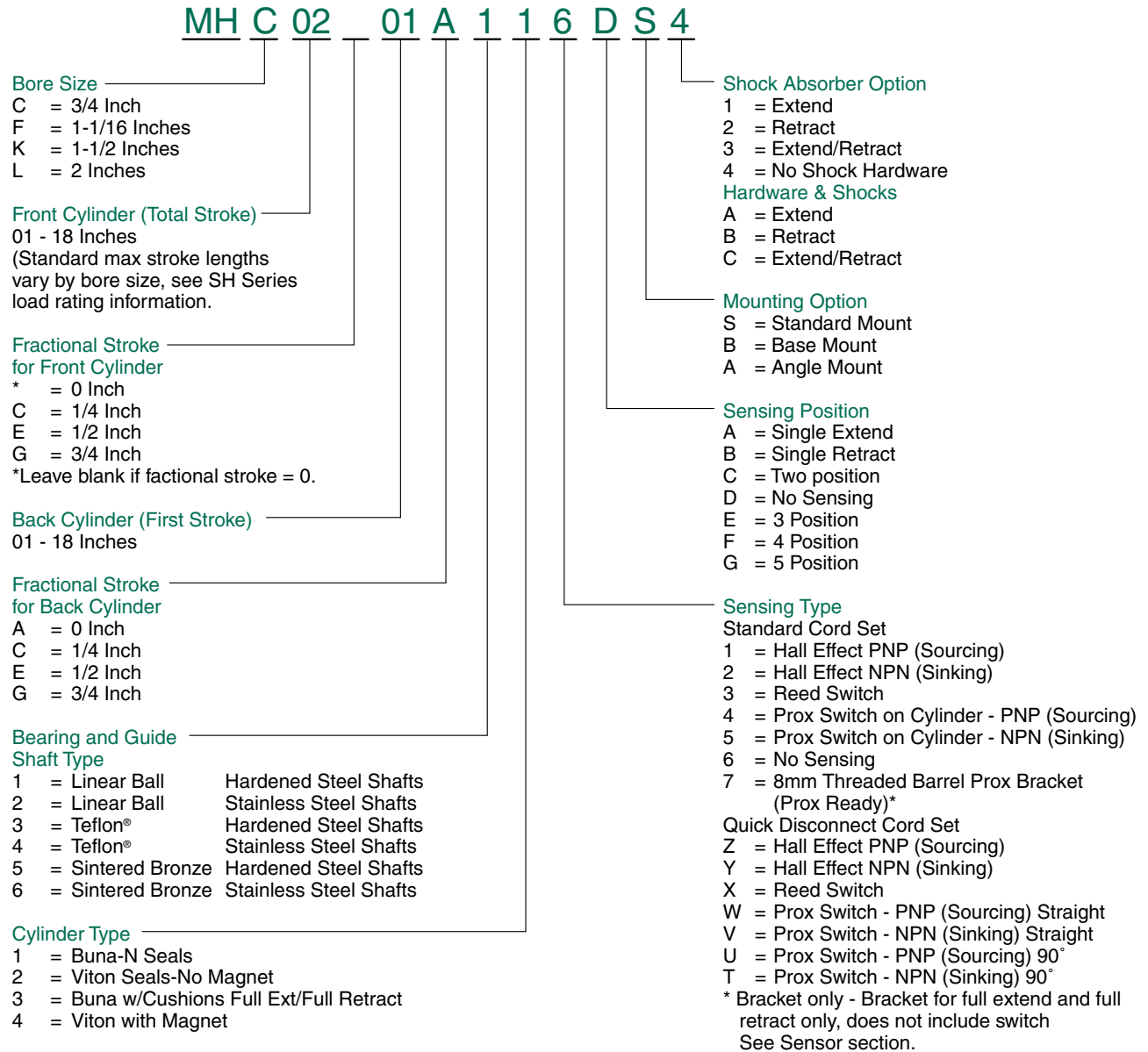


	APPLICATION A	APPLICATION B	APPLICATION C
X-AXIS SLIDE	MATING Y AXIS SLIDE	MATING Y AXIS SLIDE	MATING Z AXIS SLIDE
SH031	SH031		
SH056	SH031 SH056	SH056	SH056
SH075	SH056 SH075	SH075	SH075
SH106	SH075 SH106	SH106	SH106
SH150	SH106 SH150	SH150	SH150
SH200	SH150 SH200	SH200	SH200
SH250	SH150 SH200 SH250	SH200 SH250	SH200 SH250
SH300	SH150 SH200 SH250 SH300	SH300	SH300



How to Order

3 Position Linear Slide

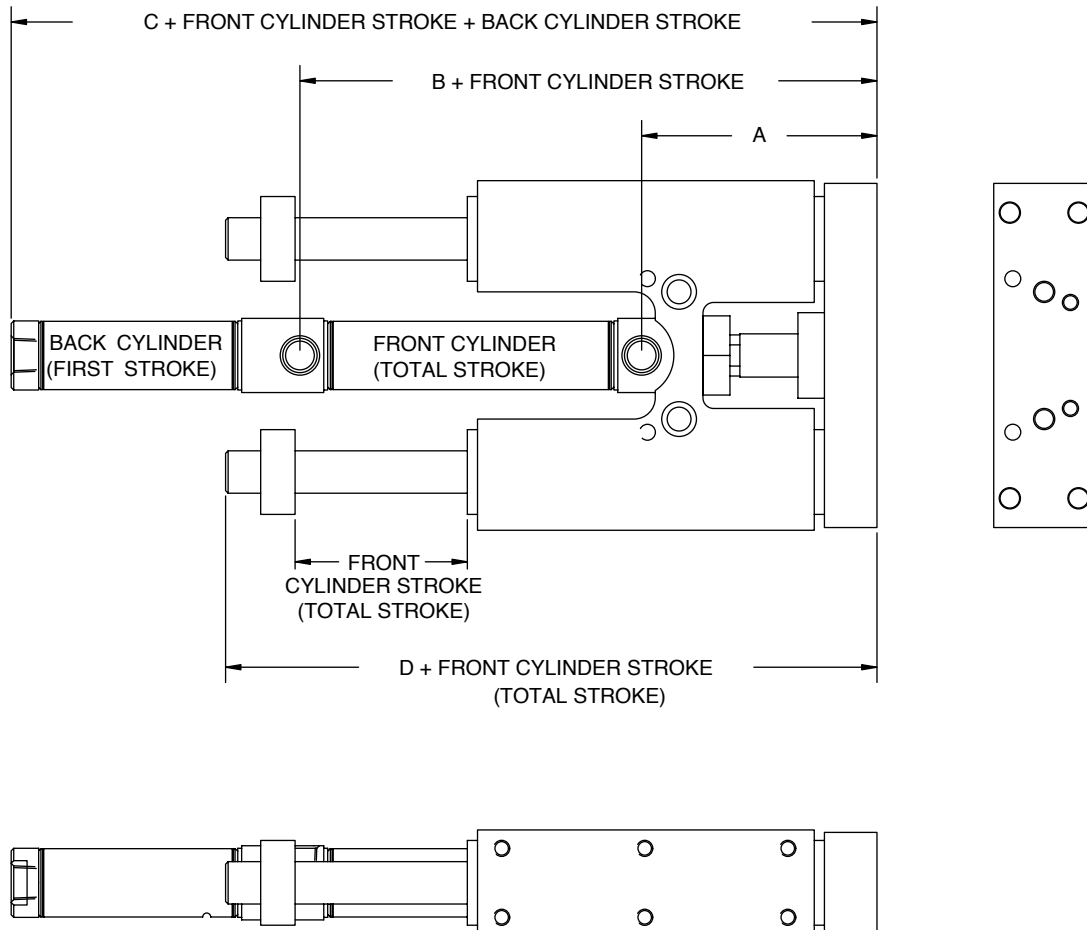




SH Series Linear Slides

numatics[®]

3 Position Linear Slide



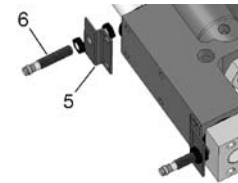
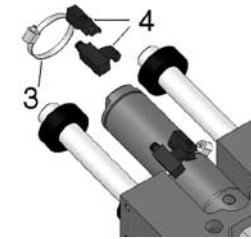
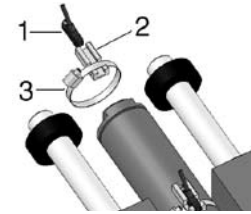
Dimensions - Inches

SH SERIES	A	B	C	D
SH075	2.78	4.81	7.21	5.68
SH106	3.44	5.47	8.04	6.35
SH150	3.86	5.99	8.80	7.16
SH200	4.85	7.57	11.05	8.75



SH Series Switch Information

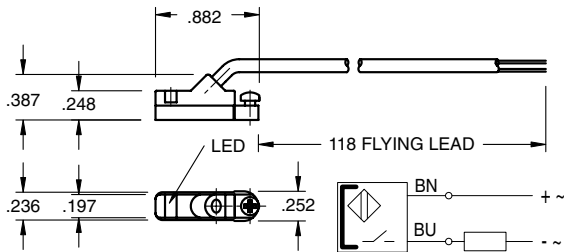
	SWITCH OR BRACKET DESCRIPTION	STANDARD PART NO.	QUICK DISCONNECT PART NO.
1	Hall Effect - PNP (Sourcing)	HPNPS31	HPNPQ31
1	Hall Effect -NPN (Sinking)	HNPN32	HNPNQ32
1	Reed Switch	RSS02	RSQ02
2	Short Switch Bracket	SBS-1	SBS-1
2	Long Switch Bracket**	SBL-2	SBL-2
3	Switch Band Clamp	SBC###*	SBC###*
4	Prox Switch - PNP (Sourcing)	SWPP-0001	SWPP-QS01
4	Prox Switch - NPN (Sinking)	SWPN-0001	SWPN-QS01
5	8mm Threaded Prox Bracket	PB###-8*	PB###-8*
6	8mm Threaded Barrel Prox NPN	PX08NS	PX08NQ
6	8mm Threaded Barrel Prox PNP	PX08PS	PX08PQ



*Use the 3 digit bore size with "SBC" number to complete part number
Example: SH15003LB16DS4 = Switch Band clamp p/n: SBC150

** Long bracket used on strokes of 1" or less with two position sensing.

RSS02 – Reed Switch (AC/DC NO), flying lead



Sensing Data

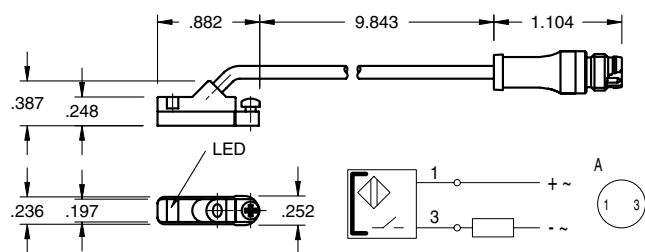
Ambient temperature range T_a	(°F/°C)	-4 to 176 (-20 to 80)
Frequency of operating cycles f at U_e	(kHz)	0.5
Turn on time t	(ms)	≤ 0.25
turn off time t	(ms)	0.03
LED function indication		yes

Electrical Data

Rated operational voltage U_e	(V)	3...130 AC/DC
Supply voltage U_B	(V)	3...130 AC/DC
Voltage drop U_d at I_e Stat./dyn.	(V)	3.5
Rated insulation voltage U_i	(V)	2750 DC (EN 60335-1)
Rated supply frequency	(Hz)	AC/DC
Rated operational current I_e	(mA)	50 (10W max.)
No-load supply current I_o at U_e d./und.	(mA)	0

Observe polarity for correct LED function

RSQ02 – 8mm connector



Mechanical Data

Housing material	Polyamide
Material of sensing face	Polyamide
Connection	PVC cable
Degree of Protection	IP 67
Rated shock: half-sinus, 50g, 11 ms	
Rated vibration environment: 10g, 10...2000 Hz. 90 min	



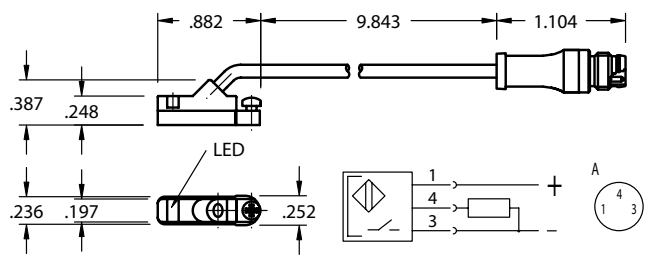
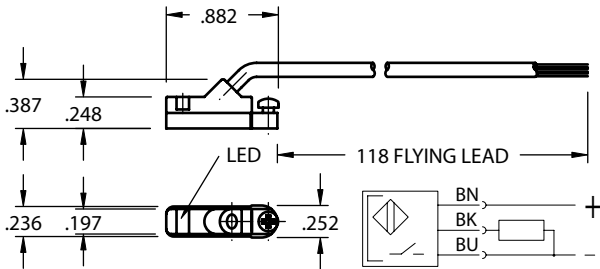


SH Series Linear Slides

NUMATICS®

HPNPS31 – Electronic Switch (PNP NO), flying lead

HPNPQ31 – 8mm connector



Sensing Data

Ambient temperature range t_d	(°F/°C)	-13 to +158 (-25 to +70)
Temperature drift	(% of)	$\leq 0.3\%/^{\circ}\text{C}$
Frequency of operating cycles f at U_e	(kHz)	10
Turn on time t	(ms)	.05
turn off time t	(ms)	.05
Utilization categories		DC13
Function-/supply voltage indication		YES

Electrical Data

Rated operational voltage U_e	(V)	24 DC
Supply voltage U_B	(V)	10...30 DC
incl. ripple	(% of U_e)	15
Voltage drop U_d at I_e Stat./dyn.	(V)	1/-
Rated insulation voltage U_i	(V)	75 AC
Rated supply frequency	(Hz)	DC
Rated operational current I_e	(mA)	200
No-load supply current I_o at U_e d./und.	(mA)	25/13
Protected against polarity reversal		YES

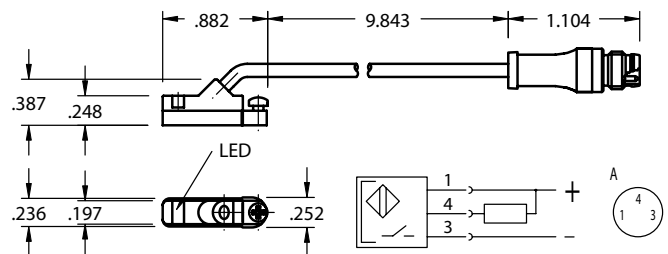
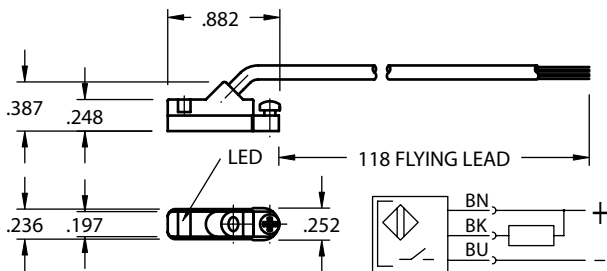
Mechanical Data

Housing material	Polyamide
Material of sensing face	Polyamide
Connection	PVC cable
Degree of Protection	IP 67
Rated shock: half-sinus, 30 g, 11 ms	
Rated vibration environment: 55 Hz, 1mm amplitude, 3 x 30	



HNPNS32 – Electronic Switch (NPN NO), flying lead

HNPNQ32 – 8mm connector



Sensing Data

Ambient temperature range t_d	(°F/°C)	-13 to +158 (-25 to +70)
Temperature drift	(% of S_T)	$\leq 0.3\%/^{\circ}\text{C}$
Frequency of operating cycles f at U_e	(kHz)	10
Turn on time t	(ms)	.05
turn off time t	(ms)	.05
Utilization categories		DC13
Function-/supply voltage indication		YES

Electrical Data

Rated operational voltage U_e	(V)	24 DC
Supply voltage U_B	(V)	10...30 DC
incl. ripple	(% of U_e)	15
Voltage drop U_d at I_e Stat./dyn.	(V)	1/-
Rated insulation voltage U_i	(V)	75 AC
Rated supply frequency	(Hz)	DC
Rated operational current I_e	(mA)	200
No-load supply current I_o at U_e d./und.	(mA)	25/13
Protected against polarity reversal		YES

Mechanical Data

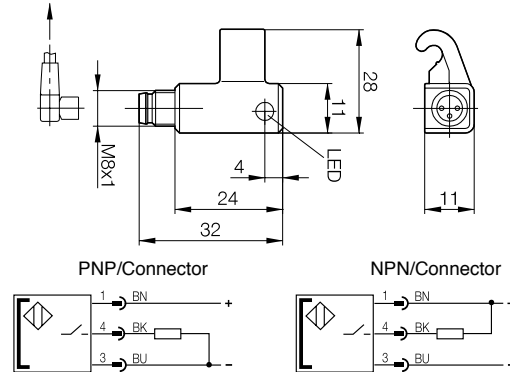
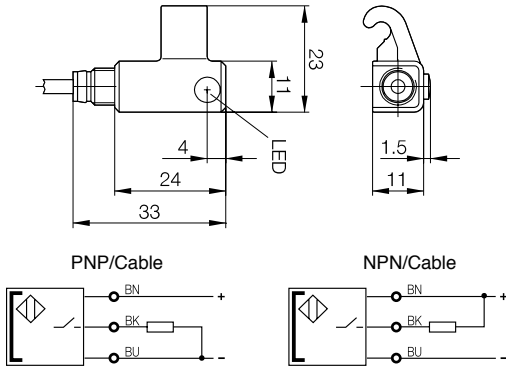
Housing material	Polyamide
Material of sensing face	Polyamide
Connection	PVC cable
Degree of Protection	IP 67
Rated shock: half-sinus, 30 g, 11 ms	
Rated vibration environment: 55 Hz, 1mm amplitude, 3 x 30	





SWPP-0001 (PNP NO), flying lead
SWPN-0001 (NPN NO), flying lead

SWPP-QS01 – 8 mm connector
SWPN-QS01 – 8 mm connector



Hysteresis of I_{Hn} I
 Temperature drift of turn-on point of I_{Hn} I
 Turn-on delay
 Turn-off delay
 Supply voltage U_B
 Voltage drop U_d
 Rated insulation voltage U_i
 Rated operating current I_e
 No-load supply current I_0 max.
 Off-state current I_r
 Protected against polarity reversal
 Short circuit protected
 Load capacitance
 Ambient temperature range T_a
 Utilization category
 Degree of protection per IEC 60529
 Housing material

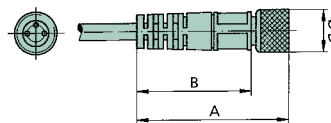
$\leq 45\%$
 $\leq 0.3\%/^{\circ}C$
 ≤ 0.5 ms
 ≤ 0.5 ms
 10...30 Vdc
 ≤ 3.1 V
 75 Vdc
 200 mA¹
 ≤ 30 mA
 ≤ 80 μA
 yes
 yes
 $\leq 1\mu F$
 $-25^{\circ}C...+70^{\circ}C$
 DC 13
 IP 67
 PBT Hardened

Female Connectors for Reed Switches and Hall Effect Sensors

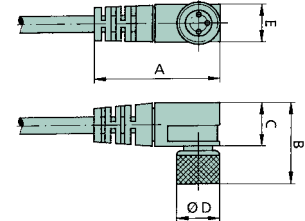
Dimensions (mm)

TYPE	ORDER CODE
Straight, 5 m Cable	PXCST
Elbow, 5 m Calbe	PXC90

Straight Type

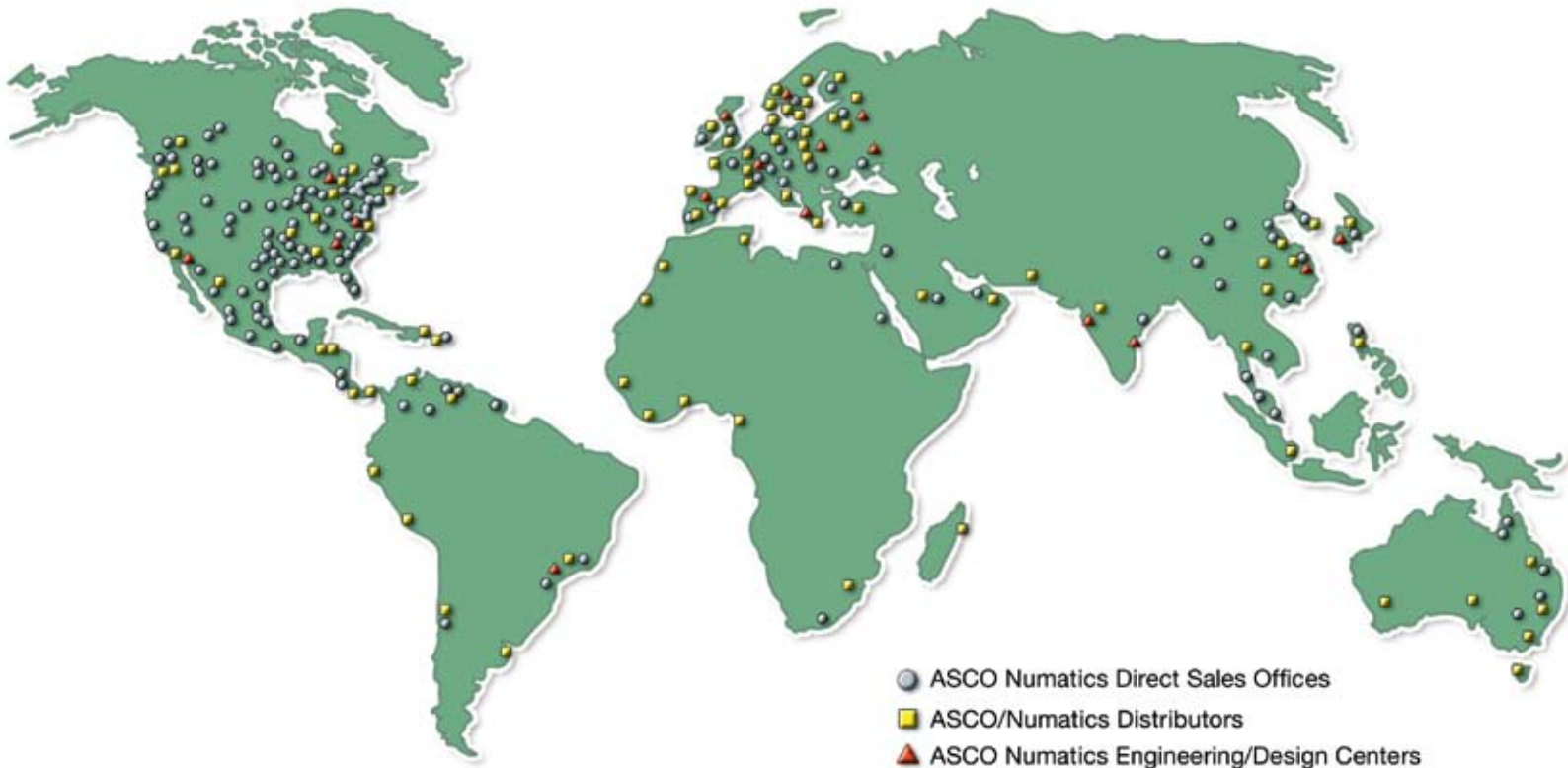


Elbow Type



NUMATICS

*World Class Supplier
of Pneumatic Components*



WORLD HEADQUARTERS

USA

Numatics, Incorporated

46280 Dylan Drive
Novi, Michigan 48377

P: 1-888-Numatics
1-888-686-2842

Canada

Numatics, Ltd

P: 519-452-1777

Mexico

Numatics de Mexico S.A. de C.V.

P: 52-222-284-6176

For a comprehensive listing of all Numatics production and distribution facilities worldwide, visit:

www.numatics.com