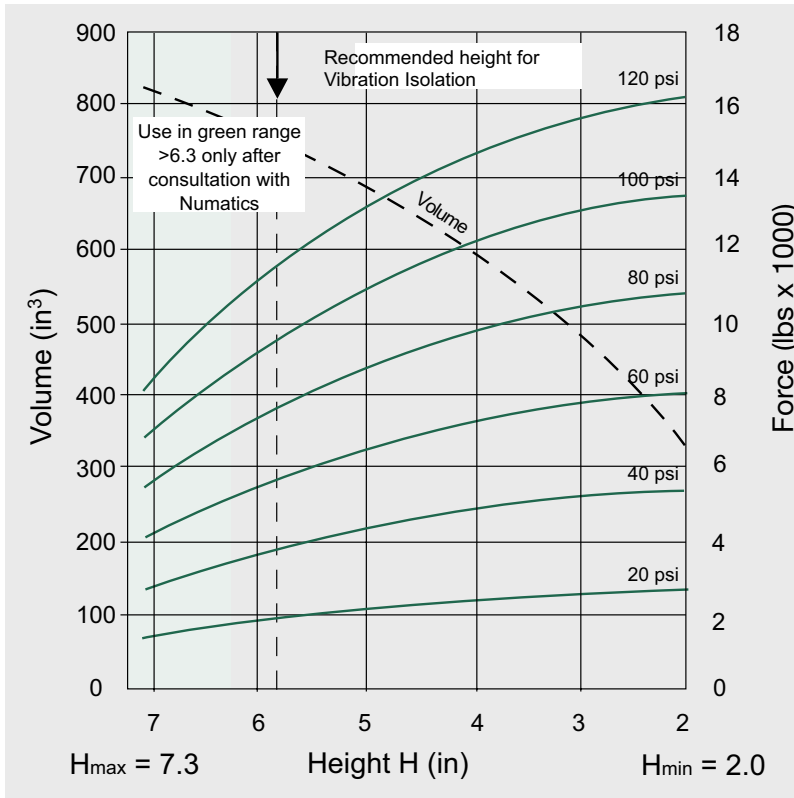


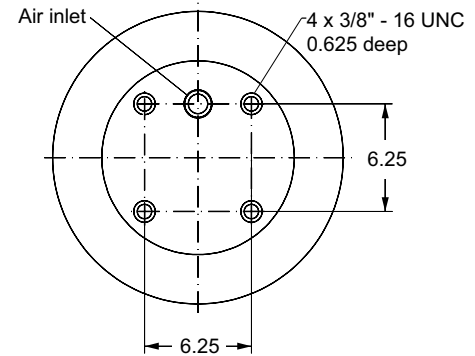
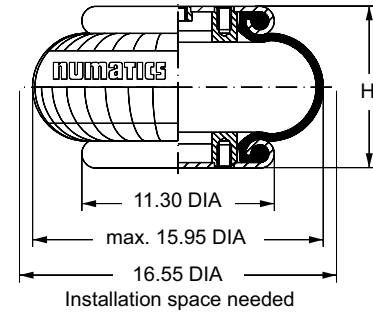


### Numatics Single Convolute Air Bellows

### ASNS82-5-1



Force-Height Diagram



#### TECHNICAL DATA

Min. Pressure	0 PSI
Return Force to Min. Height	≤ 67 lbs
Overall Weight with Clamped Plates	13.5 lbs

#### Vibration Isolation – Dynamic Characteristic Values

Design Height H: Recommended 5.9 Inch, Minimum 4.3 Inch						
Pressure p (psi)	40	60	80	100	120	Vol (in <sup>3</sup> )
Force (Load) (lbs)	3920	5880	7840	9800	11760	
Spring Rate (lbs/in)	1916	2604	3364	4051	4677	750
Natural Frequency (Hz)	2.2	2.1	2.1	2.0	2.0	

#### Pneumatic Application – Static Characteristic Values

Force F (lbs)								
Pressure p (psi)	20	40	60	80	100	120	Vol (in <sup>3</sup> )	
Height H (in)	6	1920	3850	5770	7690	9620	11540	758
	5	2240	4490	6730	8980	11220	13460	674
	4	2470	4940	7410	9880	12350	14820	586
	3	2610	5220	7830	10440	13050	15660	483

#### ORDER DATA

Type	Model Number
With Clamped Plates	
3/4 NPTF Air Inlet	ASNS82-5-1
3.12 inch excentrical	
1/4 NPTF Air Inlet	ASNS82-5-1-2

Additional types on request

Installation Instruction - Torque rating  
 Mounting Holes - 3/8" = 15-20 lb-ft  
 Air Inlet 1/4" NPTF = 12-15lb-ft  
 Air Inlet - 3/4" NPTF = 40-50 lb-ft