

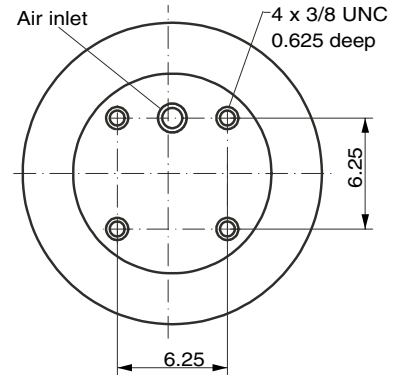
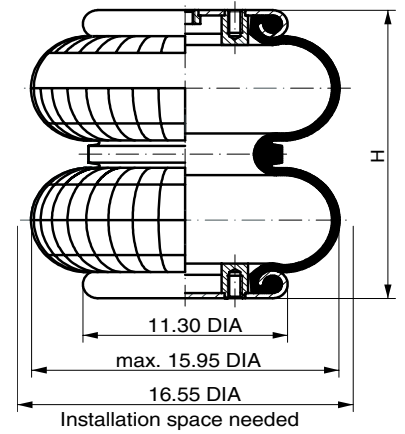
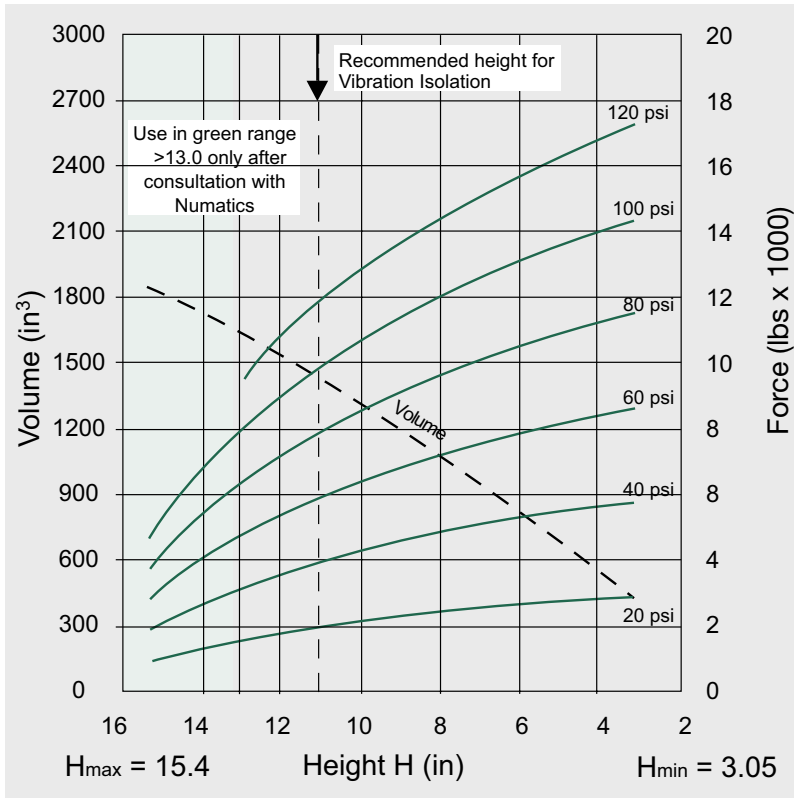


Air Bellows Series

NUMATICS®

Numatics Double Convoluted Air Bellows

ASND82-10-1



TECHNICAL DATA

Min. Pressure	0 PSI
Return Force to Min. Height	≤ 90 lbs
Overall Weight with Clamped Plates	17.1 lbs

Vibration Isolation – Dynamic Characteristic Values

Design Height H: Recommended 11.0 Inch, Minimum 10.2 Inch						
Pressure p (psi)	40	60	80	100	120	Vol (in ³)
Force (Load) (lbs)	3960	5950	7930	9910	11890	
Spring Rate (lbs/in)	929	1329	1701	2047	2421	1410
Natural Frequency (Hz)	1.5	1.5	1.5	1.4	1.4	

Pneumatic Application – Static Characteristic Values

Force F (lbs)								
Pressure p (psi)	20	40	60	80	100	120	Vol (in ³)	
Height H (in)	13	1580	3170	4750	6340	7920	9510	1628
	11	1980	3960	5950	7930	9910	11890	1411
	9	2270	4550	6820	9090	11370	13640	1199
	7	2500	5010	7510	10020	12520	15020	952
	5	2690	5370	8060	10750	13430	16120	694

ORDER DATA

Type	Model Number
With Clamped Plates	
3/4 NPTF Air Inlet	ASND82-10-1
1/4 NPTF Air Inlet	ASND82-10-1-2

Additional types on request

Installation Instructions - Torque rating
 Mounting holes - 3/8" = 15-20 lb-ft
 Air Inlet 3/4" NPTF = 40-50 lb-ft
 Air Inlet 1/4" NPTF = 12-15 lb-ft