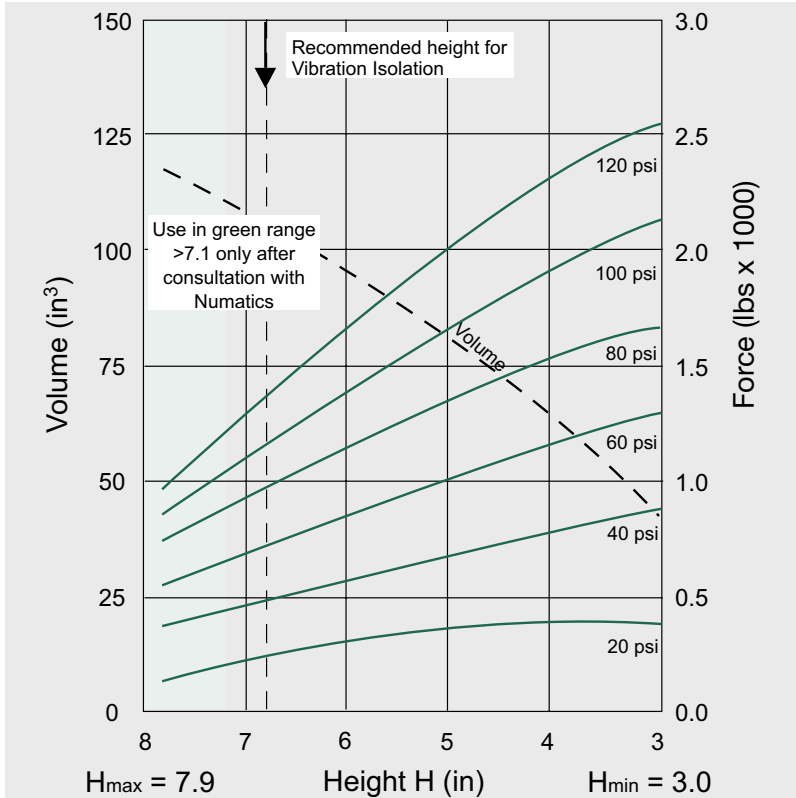


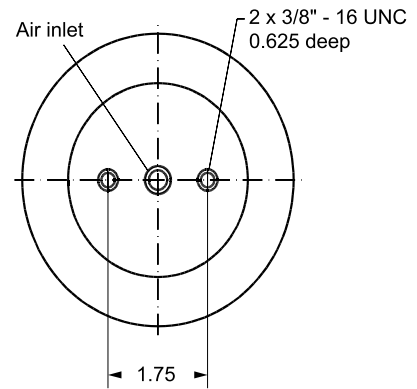
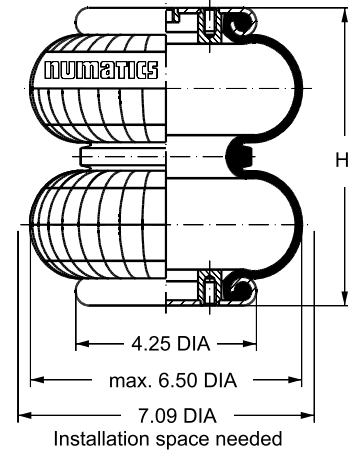


Numatics Double Convoluted Air Bellows

ASND11-4-1



Force-Height Diagram



TECHNICAL DATA

Min. Pressure	0 PSI
Return Force to Min. Height	≤ 45 lbs
Overall Weight with Clamped Plates	3.3 lbs

Vibration Isolation – Dynamic Characteristic Values

Design Height H: Recommended 6.9 Inch, Minimum 6.3 Inch							
Pressure p (psi)	40	60	80	100	120	Vol (in ³)	
Force (Load) (lbs)	460	690	920	1150	1380		
Spring Rate (lbs/in)	273	396	517	630	750	107	
Natural Frequency (Hz)	2.4	2.4	2.4	2.3	2.3		

Pneumatic Application – Static Characteristic Values

Force F (lbs)								
Pressure p (psi)	20	40	60	80	100	120	Vol (in ³)	
Height H (in)	7	220	450	670	900	1120	1350	108
	6	280	560	850	1130	1410	1690	93
	5	330	670	1000	1340	1670	2010	84
	4	380	770	1150	1540	1920	2310	68
	3	420	850	1270	1690	2120	2540	38

ORDER DATA

Type	Model Number
With Clamped Plates 1/4 NPTF Air Inlet	ASND11-4-1

Additional types on request

Installation Instruction – Torque rating
 Mounting Holes 3/8" = 15-20 lb-ft
 Air Inlet 1/4" NPTF = 12-15 lb-ft