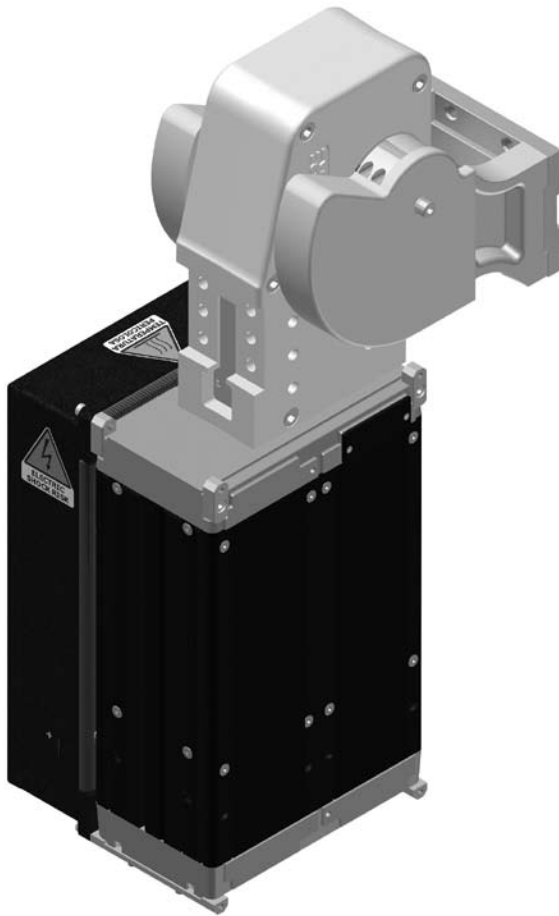


LAGE Series Electric Power Pivot



Features

- Simple 24 VDC Digital Control (2 in / 2 out) via standard M12 connector
- No PLC required to control motion
- Modular electronics for ease of maintainability
- Control module can be mounted on left side, right side or remotely
- Manually adjustable opening angle
- Saddle is chrome-plated steel that has a precision ground surface and is case hardened
- Integral brake maintains position any time power is lost
- Unpowered manual override
- Linear motion guided by roller bearings and hardened steel guide
- Rotary motion guided by conical roller bearings
- External pre-stop assures accuracy and repeatability of saddle
- Remains locked in closed position even when power is removed

General Specifications

Weight:

LAGE0500V: 53 Kg (116.9 lbs)

LAGE0500O: 53 Kg (116.9 lbs)

LAGE1000V: 66.5 Kg (146.6 lbs)

LAGE1000O: 66.5 Kg (146.6 lbs)

LAGE0500VR: 39 Kg (86.0 lbs)

LAGE0500OR: 39 Kg (86.0 lbs)

LAGE1000VR: 52.5 Kg (115.8 lbs)

LAGE1000OR: 52.5 Kg (115.8 lbs)

LKMOSC Remote Control Module: 14 Kg (30.9 lbs)

Operating Temperature: 5° to 45° C (40° to 113°F)

Class Protection: IP65

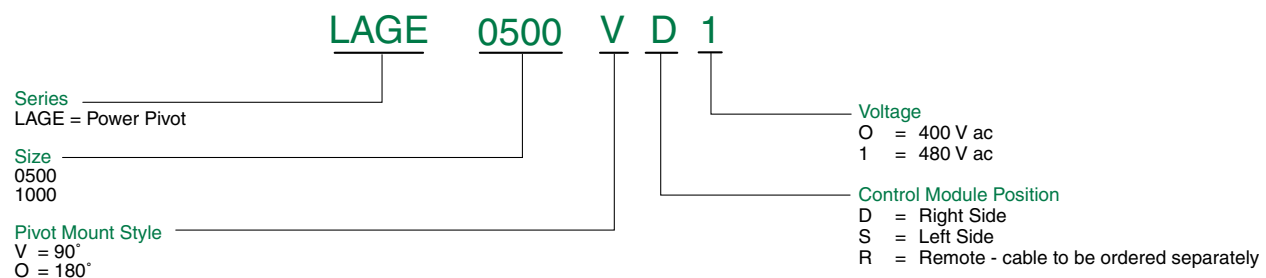
Opening Angles: 45°, 60°, 90°, 120°

Holding Capacity:

LAGE0500: 6000 Nm (4425 ft-lbs)

LAGE1000: 8000 Nm (5900 ft-lbs)

How to Order

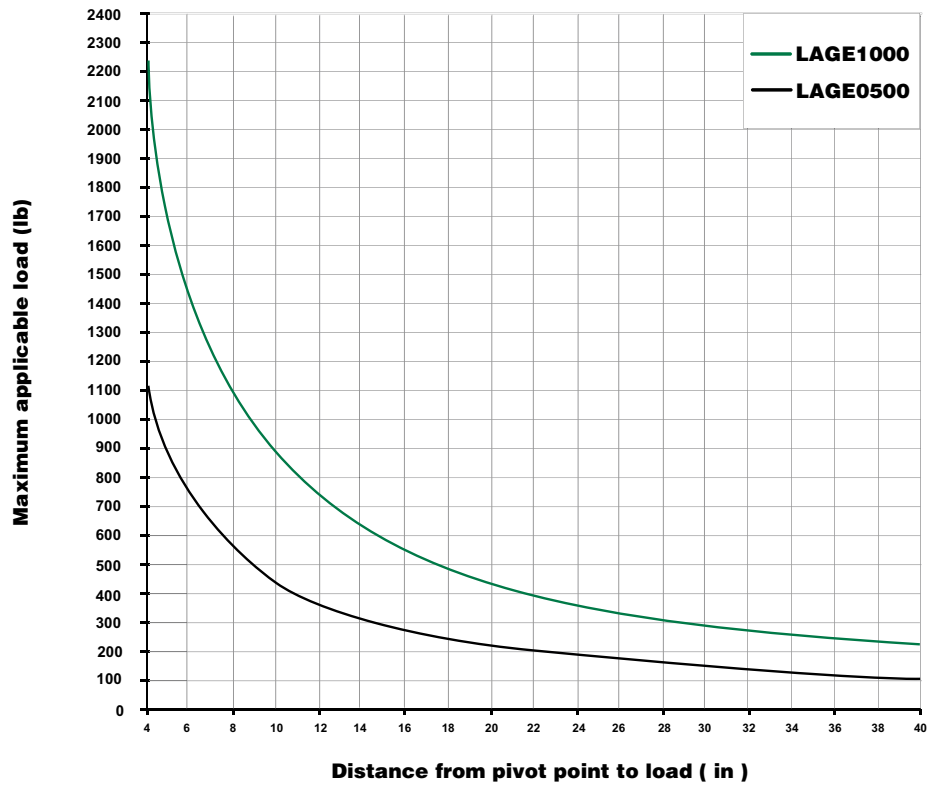




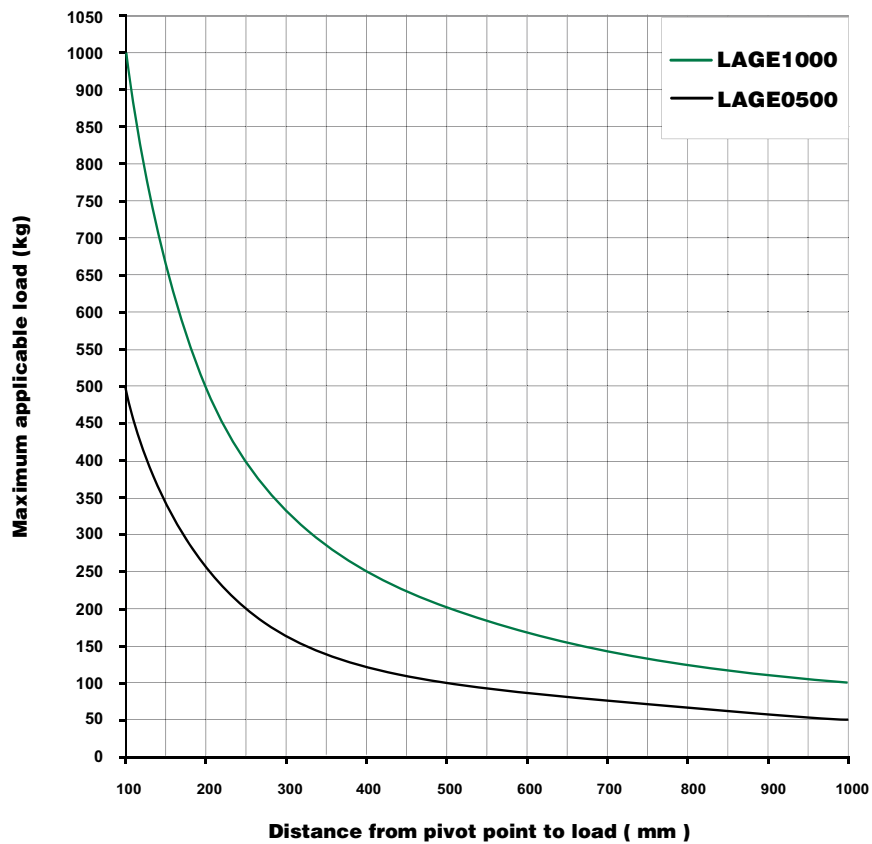
LAGE Series Electric Power Pivot

Maximum Applicable Load

English



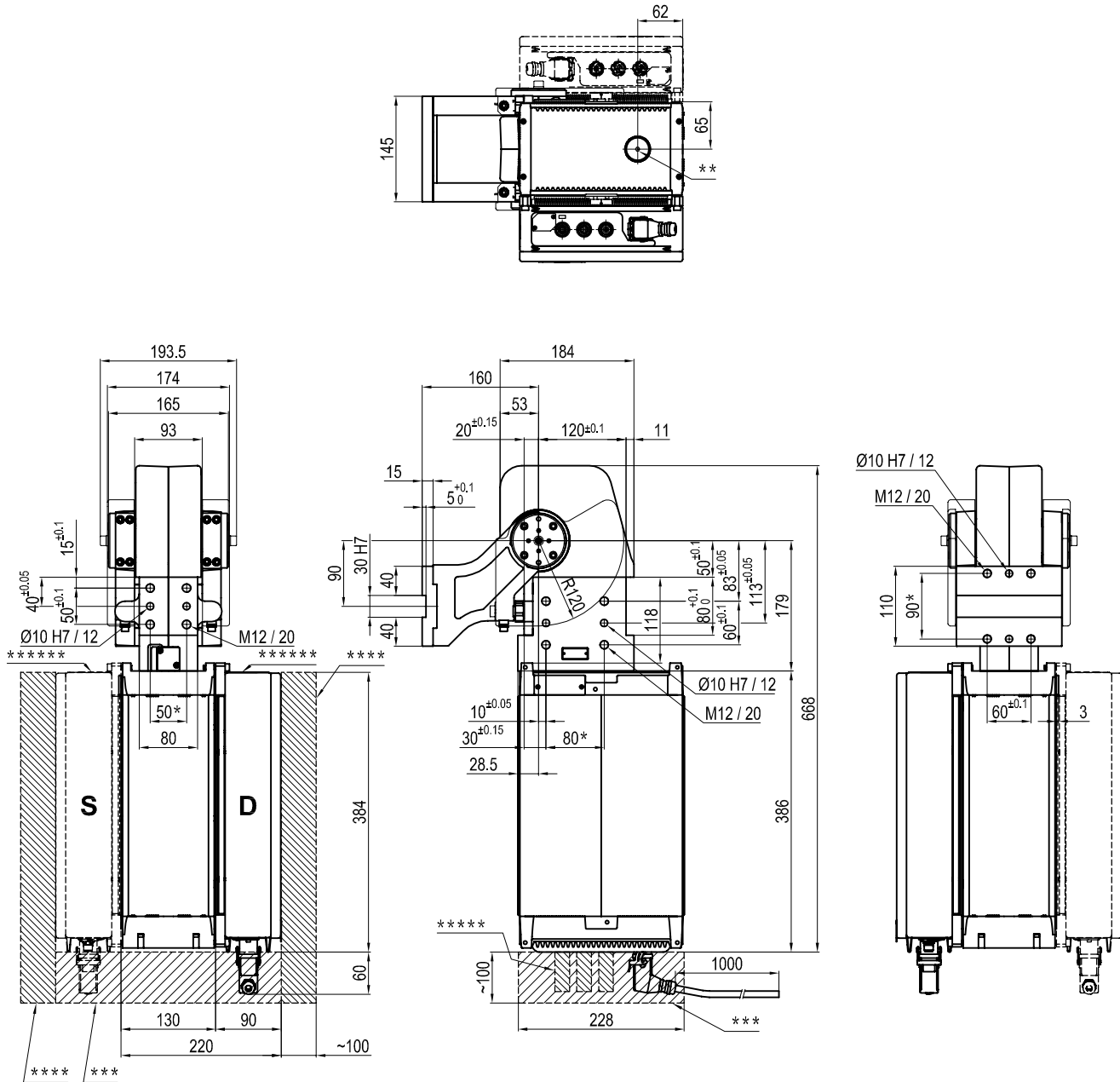
Metric





LAGE Series Electric Power Pivot

LAGE0500V__ Electric Power Pivot

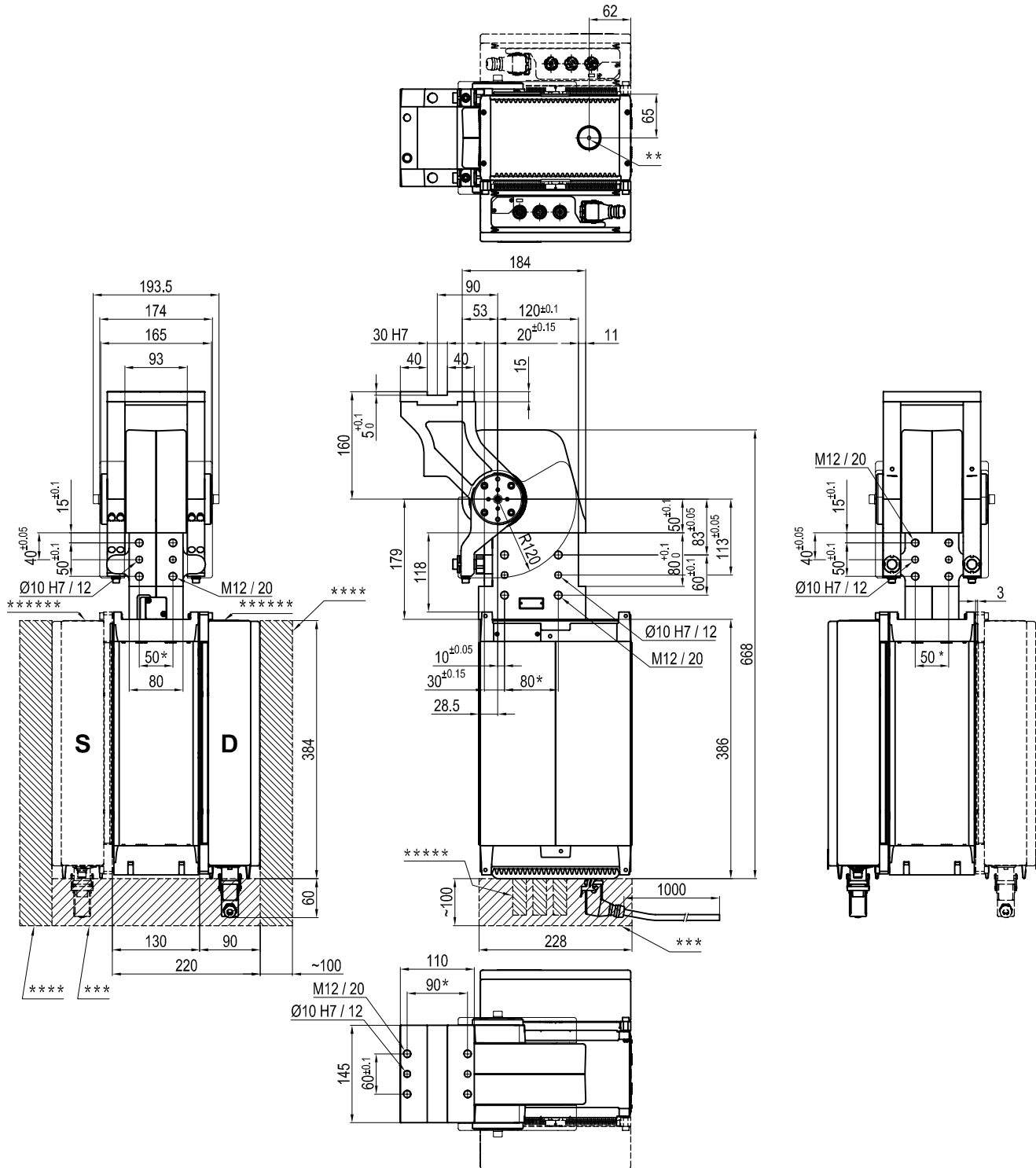


- * : TOLERANCE BETWEEN DOWELS ± 0.02, TO SCREW HOLES ± 0.1
- ** : MANUAL OPERATION: COVER KEY $\square=5$, KEY TO MOVE THE TABLE $\square=10$
- *** : SPACE FOR MANUAL OPERATIONS
- **** : SPACE FOR OPERATING ON THE ELECTRONIC COMPONENTS
- ***** : ROOM FOR CONNECTORS
- ***** : CONTROL UNIT MOUNTING POSITION : D=RIGHT ; S=LEFT

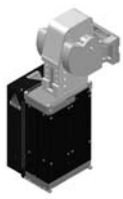


LAGE Series Electric Power Pivot

LAGE 05000_ Electric Power Pivot

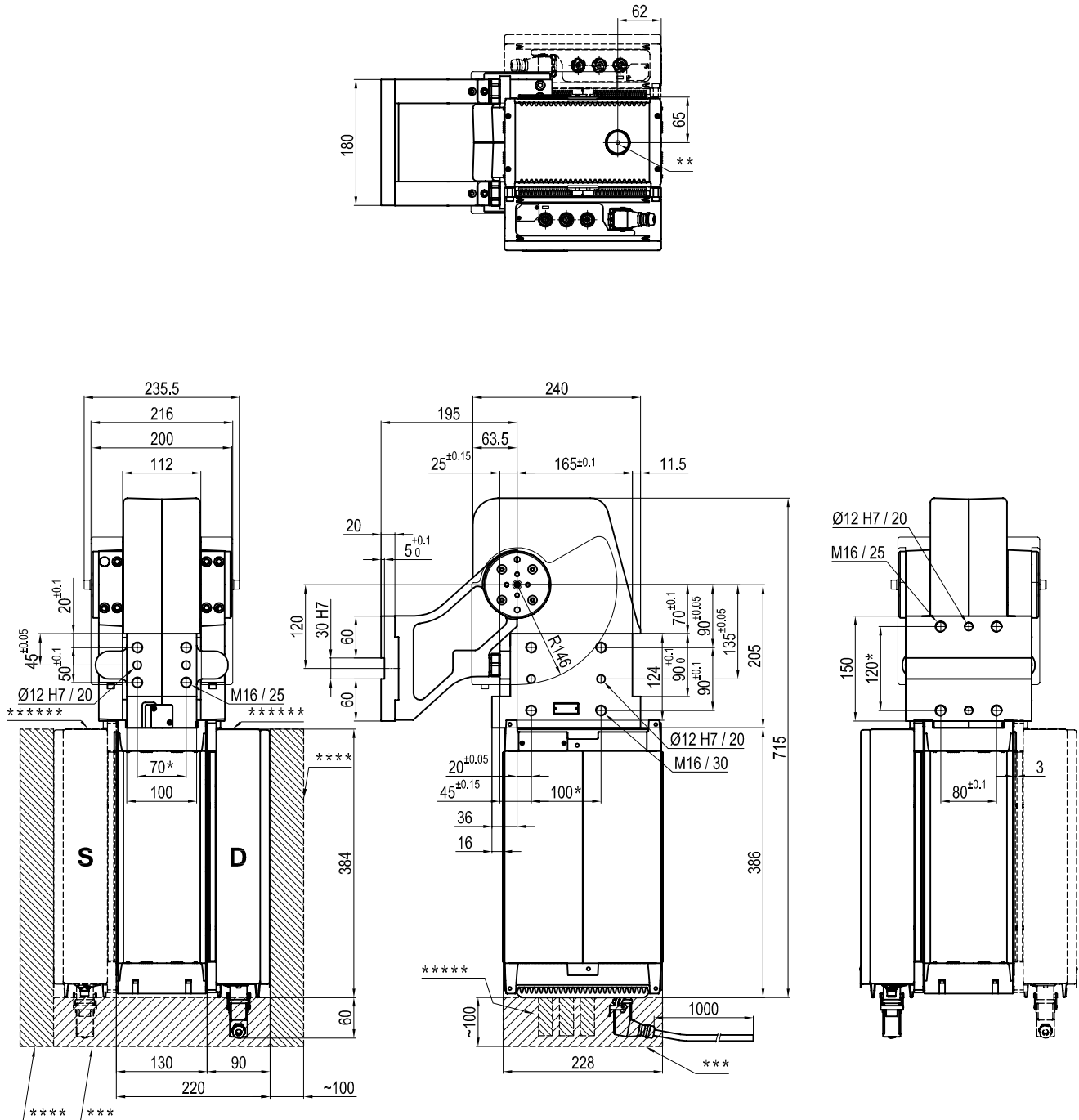


- * : TOLERANCE BETWEEN DOWELS ± 0.02 , TO SCREW HOLES ± 0.1
- ** : MANUAL OPERATION: COVER KEY $\square=5$, KEY TO MOVE THE TABLE $\square=10$
- *** : SPACE FOR MANUAL OPERATIONS
- **** : SPACE FOR OPERATING ON THE ELECTRONIC COMPONENTS
- ***** : ROOM FOR CONNECTORS
- ***** : CONTROL UNIT MOUNTING POSITION : D=RIGHT ; S=LEFT



LAGE Series Electric Power Pivot

LAGE1000V_ Electric Power Pivot

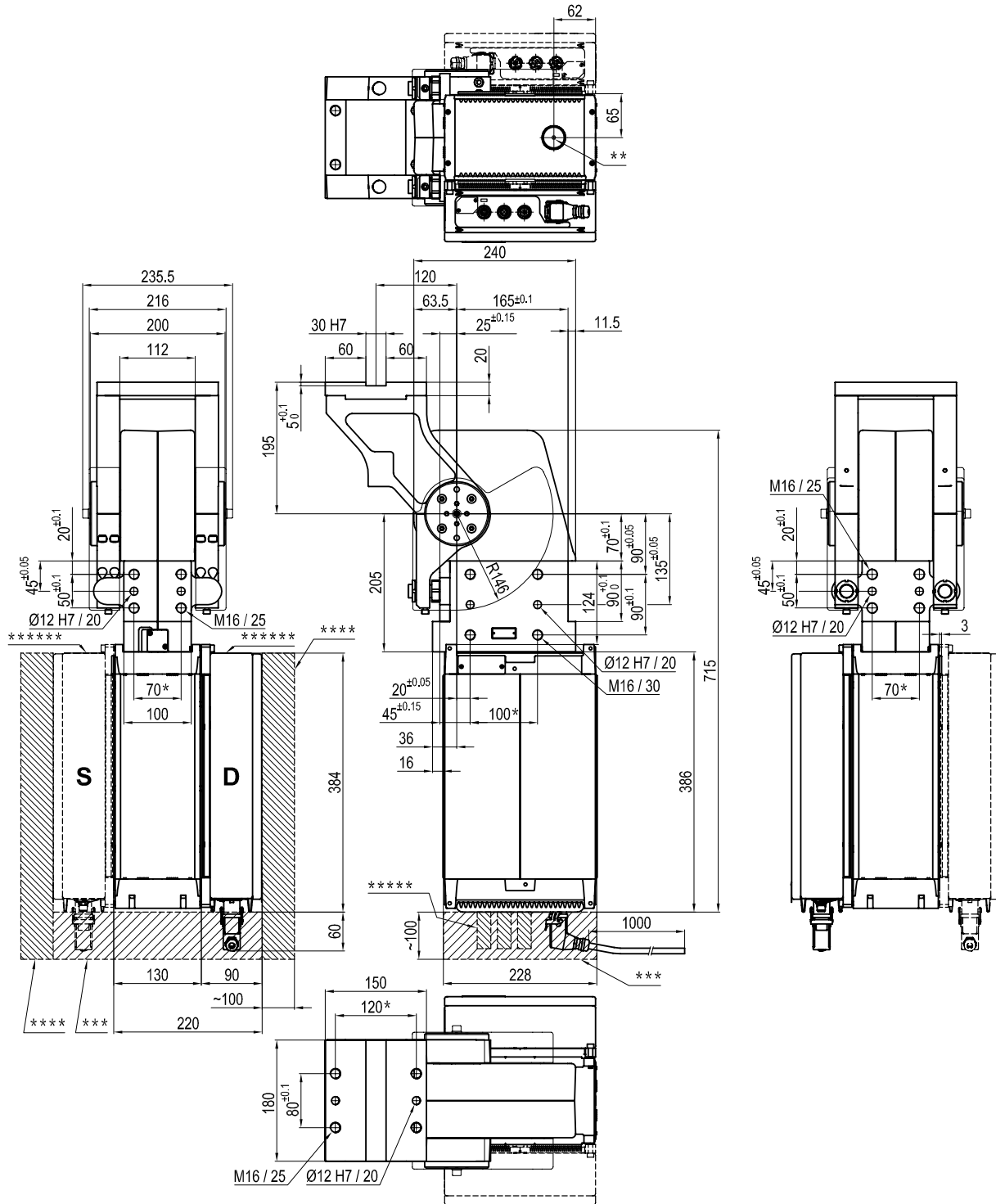


- * : TOLERANCE BETWEEN DOWELS ± 0.02, TO SCREW HOLES ± 0.1
- ** : MANUAL OPERATION: COVER KEY $\square=5$, KEY TO MOVE THE TABLE $\square=10$
- *** : SPACE FOR MANUAL OPERATIONS
- **** : SPACE FOR OPERATING ON THE ELECTRONIC COMPONENTS
- ***** : ROOM FOR CONNECTORS
- ***** : CONTROL UNIT MOUNTING POSITION : D=RIGHT ; S=LEFT

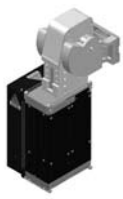


LAGE Series Electric Power Pivot

LAGE 1000 O__ Electric Power Pivot

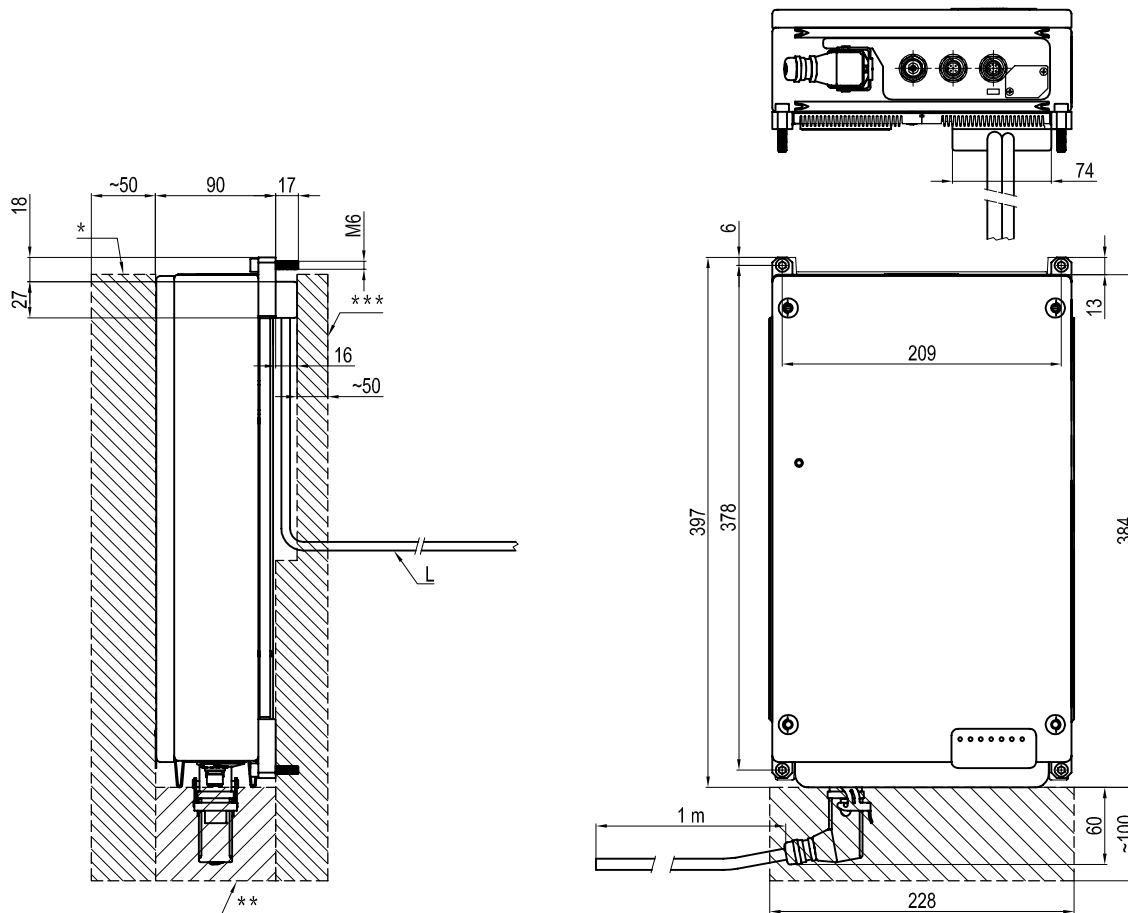


- * : TOLERANCE BETWEEN DOWELS ± 0.02 , TO SCREW HOLES ± 0.1
- ** : MANUAL OPERATION: COVER KEY $\square=5$, KEY TO MOVE THE TABLE $\square=10$
- *** : SPACE FOR MANUAL OPERATIONS
- **** : SPACE FOR OPERATING ON THE ELECTRONIC COMPONENTS
- ***** : ROOM FOR CONNECTORS
- ***** : CONTROL UNIT MOUNTING POSITION : D=RIGHT ; S=LEFT



LAGE Series Electric Power Pivot

LKMOSC Remote Control Unit for LAGE0500 - LAGE1000



- * : SPACE FOR OPERATING ON THE ELECTRONIC COMPONENTS
- ** : ROOM FOR CONNECTORS
- *** : SPACE TO REMOVE THE CONTROL UNIT

Cable for the connection between the power pivot and remote control unit.

Part Number	Length
TZ-CVLAGE-050	5 meters
TZ-CVLAGE-100	10 meters
TZ-CVLAGE-150	15 meters
TZ-CVLAGE-200	20 meters

